



The Dry Extraction
Carpet Cleaning System



Liberator[®]
extractorVAC

EVM/EVM2/EVM3

REPAIR PARTS CATALOG NO. M50206(W)

ISSUED AUGUST 2017 (revised 1/24/18)

ORDERS

Please use Part Numbers when ordering and include the machine Serial Number (found on the electrical data plate) to insure that you will receive the correct parts.

Order from your HOST Distributor.

Racine International, LLC.
1405 Sixteenth Street
Racine, WI 53403 USA

☎ 1-262-637-4491
☎ 1-800-558-9439
FAX 1-262-637-0558
www.hostdry.com

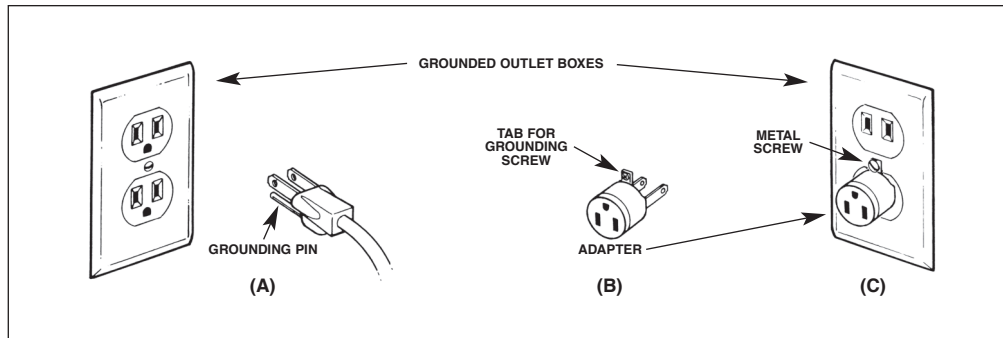
Parts Catalog

**SAVE THESE INSTRUCTIONS
READ ALL INSTRUCTIONS BEFORE USING THIS MACHINE**

WHEN USING ELECTRICAL EQUIPMENT, BASIC PRECAUTIONS SHOULD ALWAYS
BE FOLLOWED, INCLUDING THE FOLLOWING:

WARNING – TO REDUCE THE RISK OF FIRE, ELECTRIC SHOCK, OR INJURY

1. Do not leave machine when plugged in. Unplug from outlet when not in use and before servicing.
2. Do not use outdoors or on wet surfaces.
3. Do not allow to be used as a toy. Close attention is necessary when used by or near children.
4. Use only as described in manufacturer's Instruction Manual. Use only manufacturer's recommended attachments.
5. Inspect cord for damage before each use. Do not use with damaged cord or plug. If machine is not working as it should, has been dropped, damaged, left outdoors, or dropped into water, return it to the manufacturer or authorized repair center.
6. Do not pull or carry by cord, use cord as a handle, close a door on cord, or pull cord around sharp edges or corners. Do not run machine over cord. Keep cord away from heated surfaces.
7. Do not unplug by pulling on cord. To unplug, grasp the plug not the cord.
8. Do not handle plug or machine with wet hands.
9. Do not put any object into openings. Do not use with any opening blocked; keep free of dust, lint, hair, and anything that may reduce air flow.
10. Keep hair, loose clothing, fingers, and all parts of body away from openings and moving parts.
11. Turn off all controls before unplugging.
12. Do not use the LLiberator to clean stairs.
13. Do not use to pick up flammable or combustible liquids such as gasoline or use in areas where they may be present.
14. Do not use to pick up anything that is burning or smoking, such as cigarettes, matches, or hot ashes.
15. Do not use for picking up health-endangering dust such as asbestos.
16. Do not use as a wet vacuum.
17. Do not use without filters in place.
18. Connect to a properly grounded outlet only. See Grounding Instructions.
19. This machine is to be used with HOST® carpet cleaning products only. Use of other cleaning products may damage this machine.



This machine must be grounded. If it should malfunction or break down, grounding provides a path of least resistance for electric current to reduce the risk of electric shock. This machine is equipped with a cord having an equipment-grounding conductor and grounding plug. The plug must be inserted into an appropriate outlet that is properly installed and grounded in accordance with all local codes and ordinances.

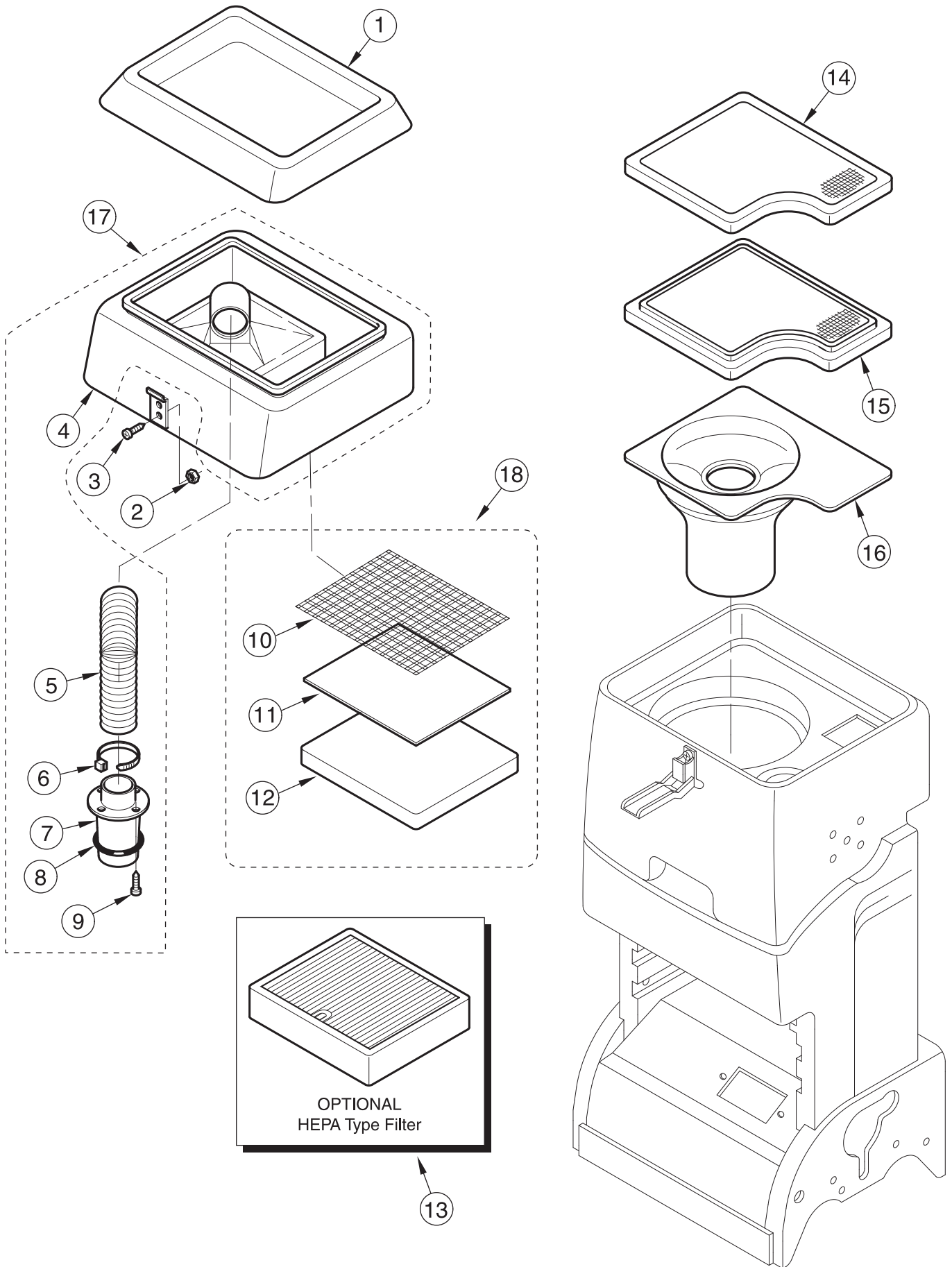
WARNING: Improper connection of the equipment-grounding conductor can result in the risk of electric shock. Check with a qualified electrician or service person if you are in doubt as to whether the outlet is properly grounded. Do not modify the plug provided with the machine. If it will not fit the outlet, have a proper outlet installed by a qualified electrician.

This machine is for use on a nominal 120 volt circuit, and has a grounded plug that looks like the plug illustrated in **Diagram A**. A temporary adapter that looks like the adapter illustrated in **Diagram B** may be used to connect this plug to a 2-pole receptacle as shown in **Diagram C** if a properly grounded outlet is not available. The temporary adapter should be used only until a properly grounded outlet can be installed by a qualified electrician. The green colored rigid ear, lug, or the like extending from the adapter as illustrated in **Diagram B**, must be connected to a permanent ground outlet box cover. Whenever the adapter is used, it must be held in place by a metal screw as shown in **Diagram C**.

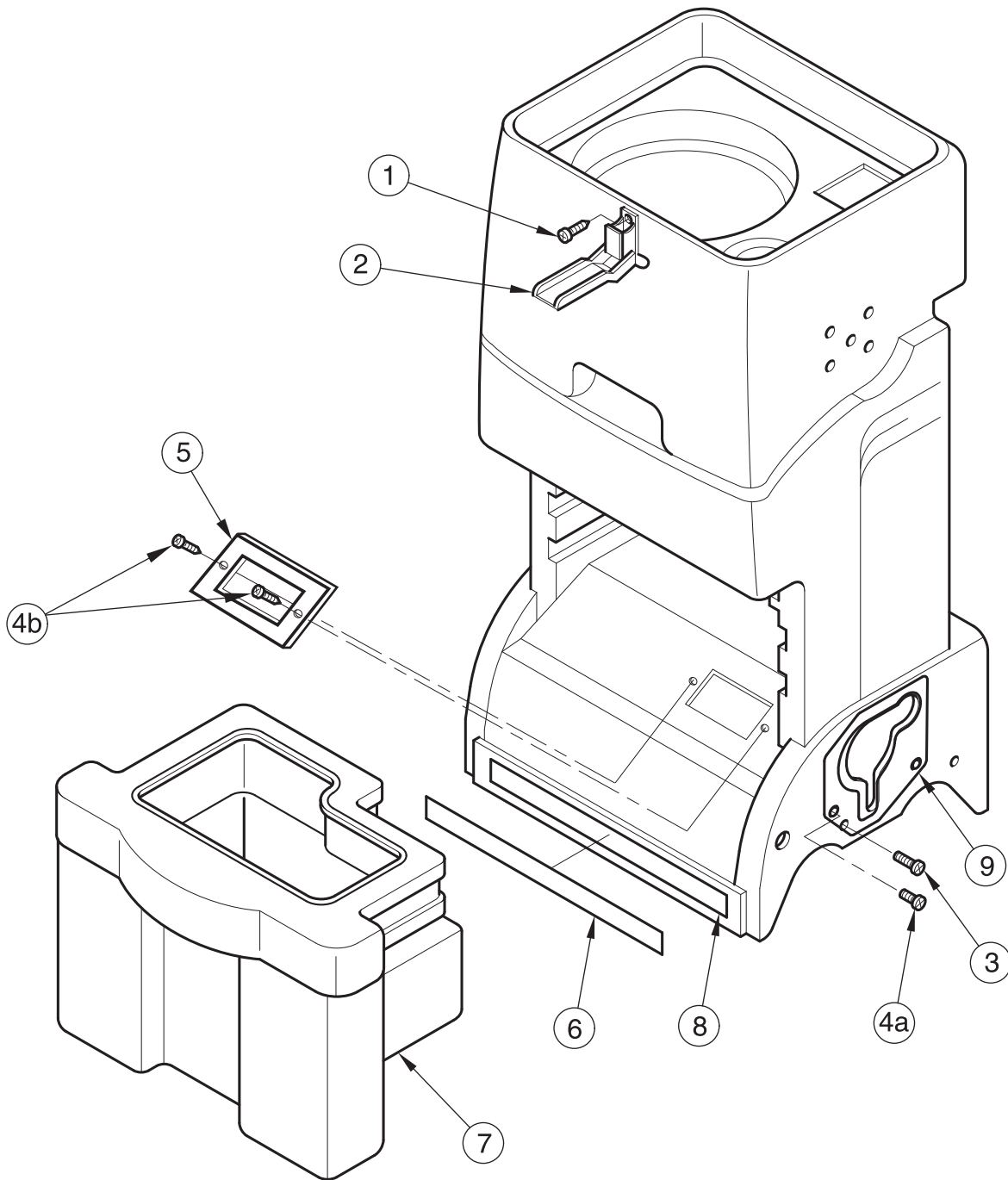
Note: In Canada, the use of a temporary adapter is not permitted by the Canadian Electrical Code.

Safety Instructions _____	2
Grounding Instructions _____	3
Filter Assembly _____	6/7
Vac Pod Front _____	8/9
Vac Pod Rear _____	10/11
Brush End Cover _____	12/13
Back Panel Assembly _____	14/15
Handle Assembly _____	16/17
Motor Case Assembly _____	18/19
Gear Case Assembly _____	20/21
Inner Gear Case Assembly _____	22/23
Vac Motor Assembly _____	24/25
Hood & Nozzle Assembly _____	26/27
Caddy _____	28/29
Brush & Caddy Mounting Bar _____	30/31
Wiring Diagram - 100/120V _____	32
Wiring Diagram - 220/240V _____	33

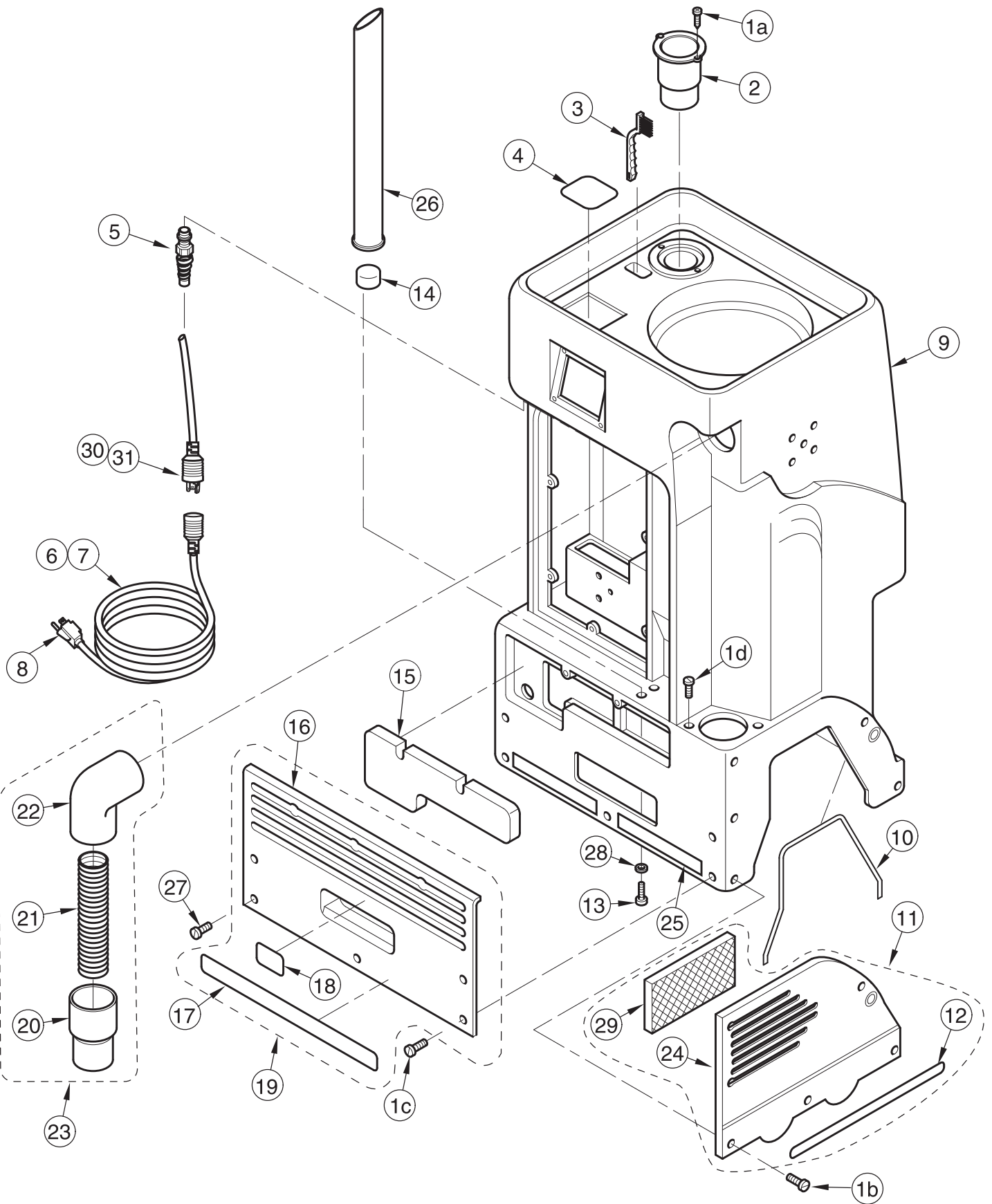




Code No.	Part No.	Description
1	M50001	Cover, Filter Housing
2	466A	Nut 8-32 (4 Required)
3	H1072	Screw 8-32 x ½" (4 Required)
4	M50002	Filter Housing
5	M30048	Vacuum Hose
6	X206	Cable Tie
7	M30021	Plug, Filter Housing
8	M30022	O-Ring, 2"
9	M30145	Screw 8-32 x ½", Thread Forming (4 Required)
10	M50332	Filter, Backing Screen
11	M50333	Filter, White Felt
12	M50334	Filter, Gray Foam
13	M50117	Filter, HEPA Type (Optional)
14	M50040	Filter, Secondary, Black Seal
15	M50039	Filter, Primary, Orange Seal
16	M50116	Separator Assembly
17	M50115	Filter Housing Assembly (Includes Code Nos. 4-9)
18	M50338	Filter Pack, 3-Piece Fine Particle (Includes Code Nos. 10-12)



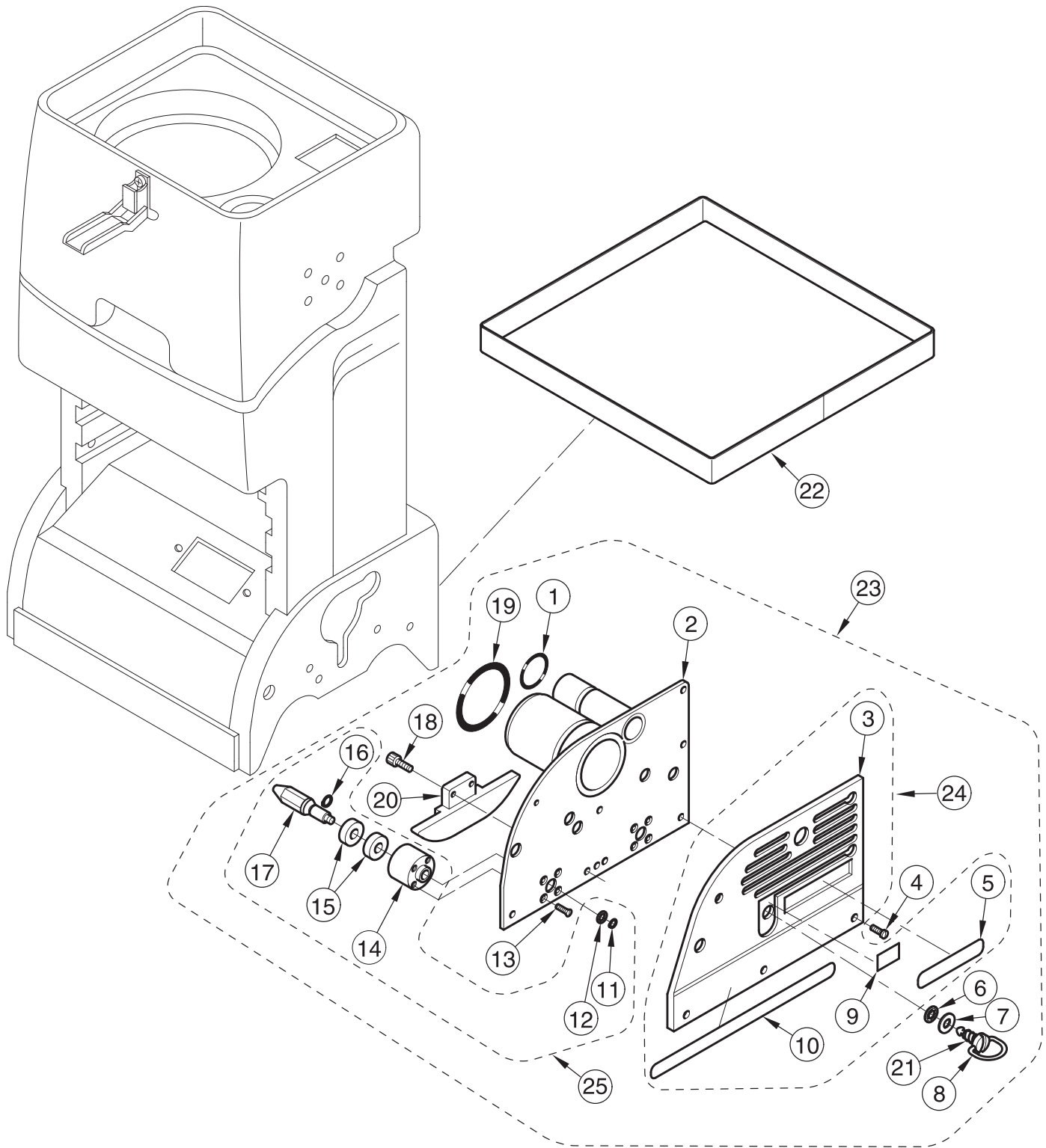
Code No.	Part No.	Description
1	D31A	Screw 8-32 x $\frac{3}{8}$ " (4 Required)
2	M30028	Latch Assembly (2 Required)
3	H1072	Screw 8-32 x $\frac{1}{2}$ " (2 Required)
4	M30145	Screw 8-32 x $\frac{1}{2}$ " Thread Forming a) Inner Hood to Pod (2 Required) b) Access Plate Assembly to Pod (2 Required)
5	M50377	Access Plate Assembly
6	M30135	Velcro Strip
7	M50120	Bagless Hopper Assembly
8	M50093	Filler Gasket, Front
9	M50198	Gasket, End Plate to Pod



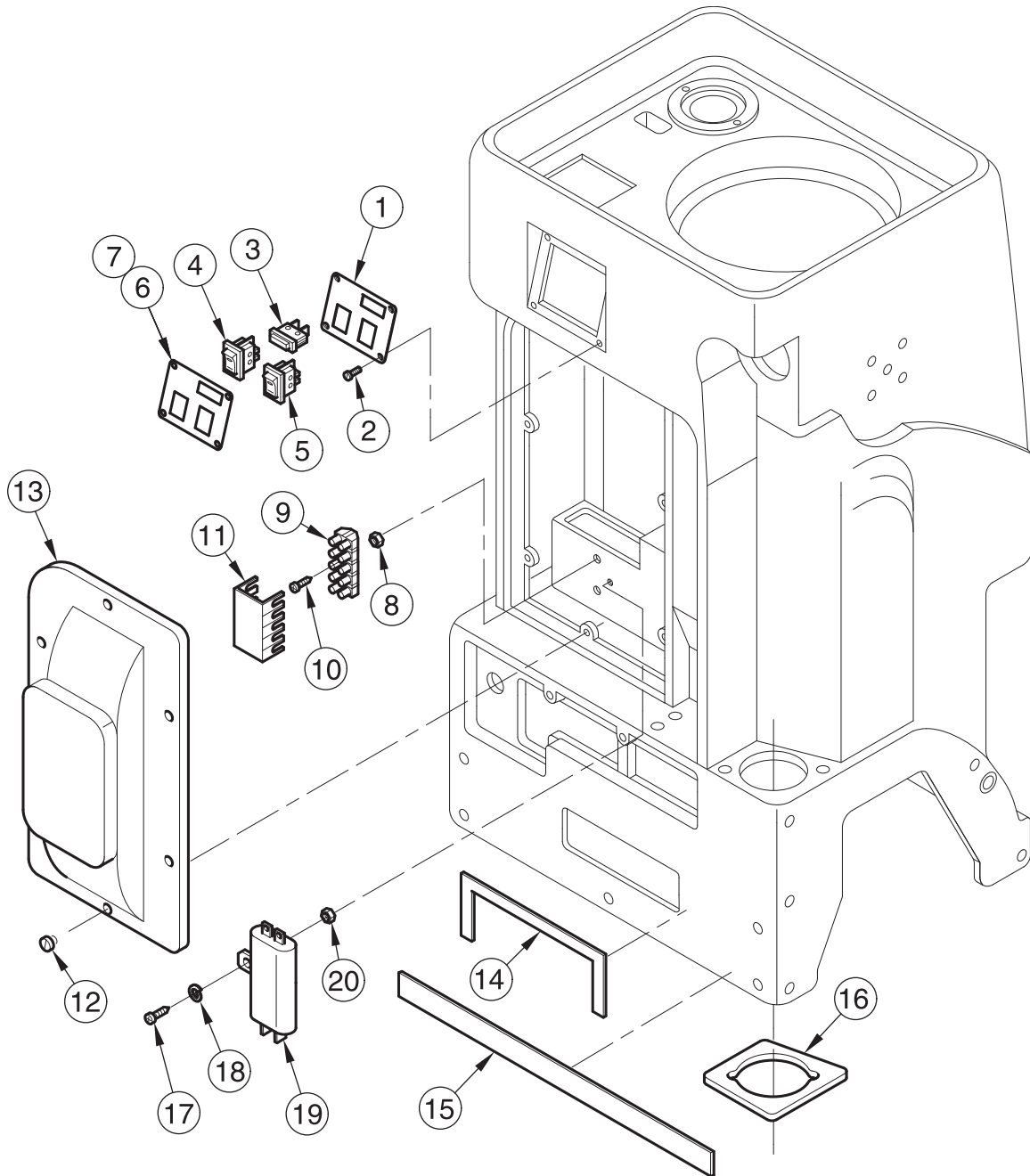
Code No.	Part No.	Description
1	M30145	Screw 8-32 x 1/2" Thread Forming a) Flange to Pod (2 Required) b) End Plate/Retainer Assembly to Pod (6 Required) c) Back Cover Plate to Pod (6 Required) d) Nozzle to Pod (2 Required)
2	M30020	Flange
3	M30058	Brush, Filter Cleaning
4	M50068	Decal, Filter Instruction
5	M30057	Strain Relief
6	M50272	Power Cord 120V (plug included)
7	M30680	Power Cord 230V (add plug No. 8 See Below)
8	See Below	Plug
9	M50010	Pod
10	M50092	Gasket
11	M50329	End Plate Retainer Assembly (Includes Code Nos. 12, 24, 29)
12	M50087	Velcro Strip
13	M30215	Screw 1/4"-20 x 1/2" (2 Required)
14	M50102	Post, Mounting Crevice Tool
15	M50086	Foam Filter
16	M50014	Back Cover Plate
17	M30135	Velcro Strip
18	M50066	Decal, Back Panel Removal
19	M50433	Back Cover Plate Assembly
20	M30027	Hose Cuff
21	M50098	Hose, Vacuum (2" Diameter Black)
22	M30156	Vacuum Elbow Assembly
23	M50442	Vac Hose Assembly
24	M50330	End Plate, Gear Case
25	M50094	Gasket, Back Panel to Pod (2 Required)
26	M30030	Crevice Tool
27	D31A	Screw 8-32 x 3/8" (2 Required)
28	F210	Washer, Flat (2 Required)
29	M50328	Filter, Foam
30	M50461	Pigtail Assembly 120V (Includes Code No. 5)
31	M50462	Pigtail Assembly 230V (Includes Code No. 5)
*Not Illustrated	M30692	Velcro Cord Strip

Plug Options for M30680 Power Cord 230V

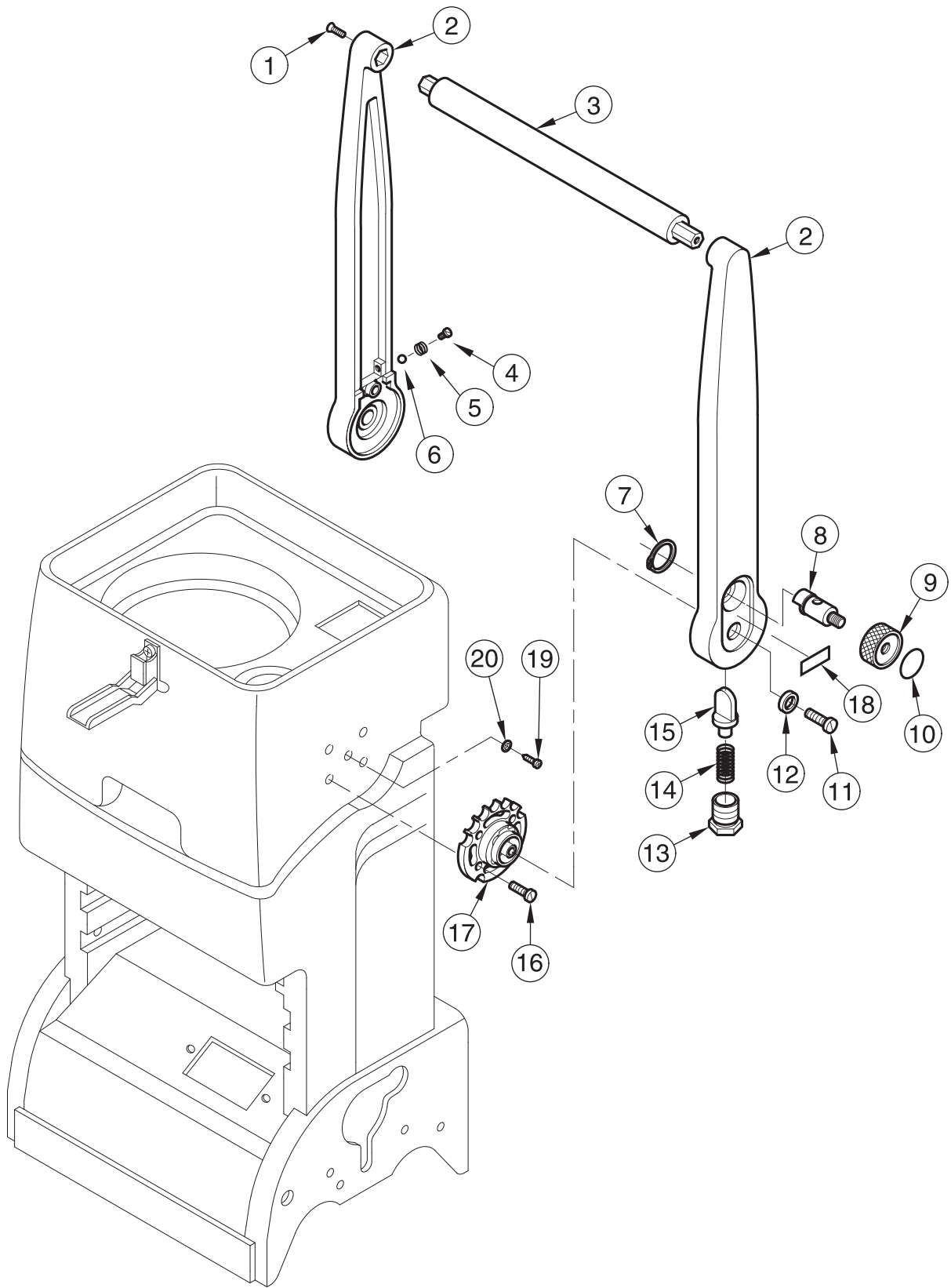
M7061A	North America	M4163	Europe
M4206	United Kingdom	M4181	Switzerland
M4343	Italy	M4241	Australia
M4338	Israel	M4344	Denmark
M30515	South Africa/India	M4348	Brazil



Code No.	Part No.	Description
1	M50052	O-Ring, 1 1/8"
2	M50109	Backing Plate & Tube Assembly
3	M50012	Plastic End Cover - Use M50279 (Code 24)
4	M50156	Screw 8-32 x 1/4" (6 Required)
5	M30417	Decal, Power Disconnect
6	M50132	Retainer
7	M50130	Wear Washer
8	M50128	1/4 Turn Stud
*Not Illustrated	M50260	1/4 Turn Receptacle
9	M50065	Decal, Brush Plate Removal
10	M50087	Velcro Strip
11	M30104	Retaining Ring, 1/4" Shaft (2 Required)
12	W529	Washer 1/2" x 1/4" Nylon (2 Required)
13	M50153	Screw 8-32 x 3/8" (8 Required)
14	M50031	Housing, Bearing (2 Required)
15	M50037	Bearing (4 Required)
16	M50157	Retaining Ring (2 Required)
17	M50028	Hex Shaft, Short (2 Required)
18	D31A	Screw 8-32 x 3/8" (2 Required)
19	M50053	O-Ring, 3"
20	M50190	Ski, Brush Guard Support
21	M50131	Spring
22	M50081	Skirt
23	M50404	End Plate, Hex Idler Assembly
24	M50279	End Cover Assembly
25	M50275	Hex Idler Assembly

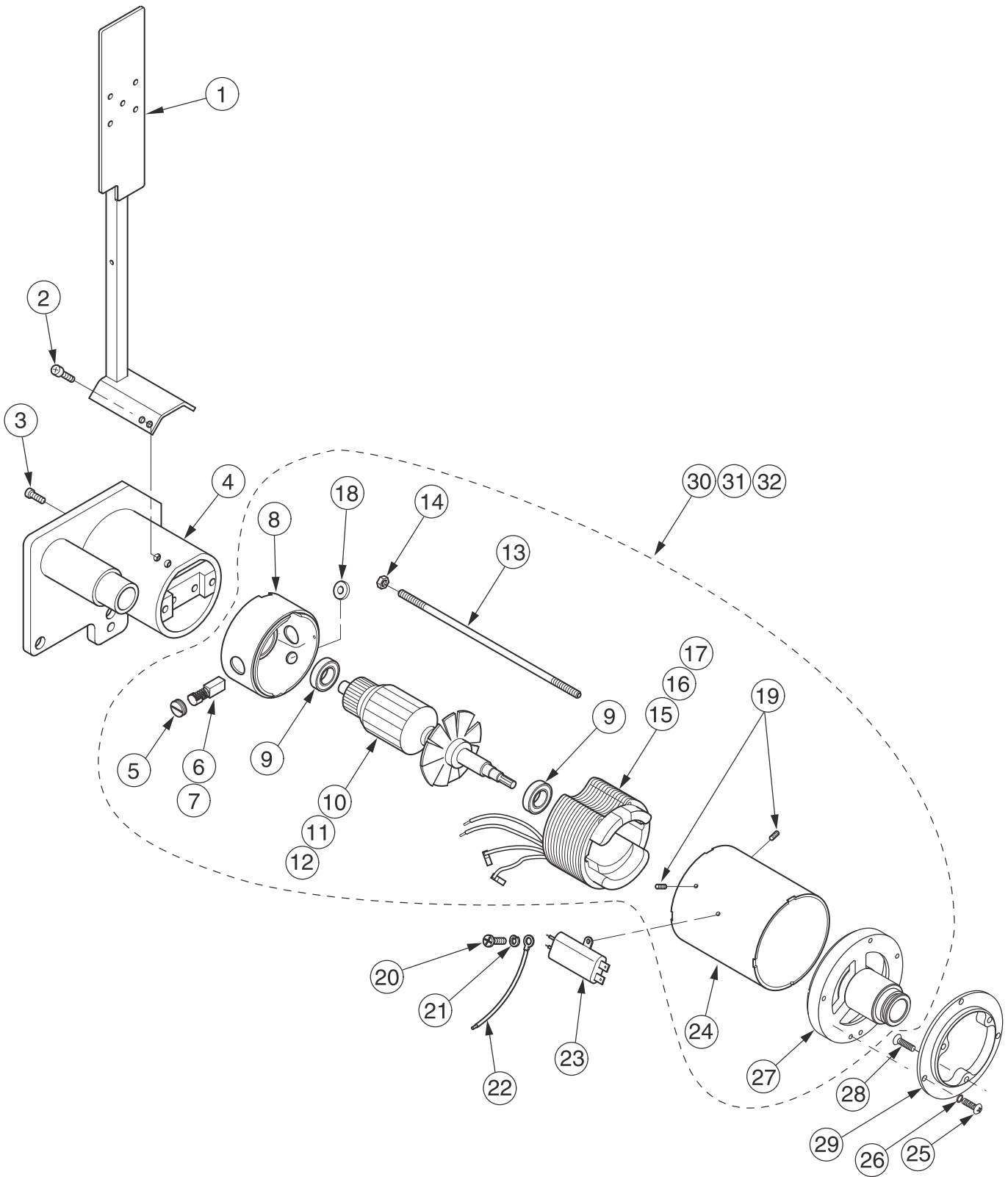


Code No.	Part No.	Description
1	M50060	Switch Plate
2	V703A	Screw #4 x $\frac{3}{8}$ " (4 Required)
3	M30051	Indicator Lamp
4	M50085	Rocker Switch, Grey
5	M30050	Rocker Switch, Blue
6	M50071	Decal 120V
7	M50231	Decal 220/240V
8	466A	Nut 8-32 (2 Required)
9	M30053	Terminal Block
10	M30147	Screw 8-32 x $\frac{7}{8}$ " (2 Required)
11	M30054	Terminal Block Cover
12	D31A	Screw 8-32 x $\frac{3}{8}$ " (6 Required)
13	M50008	Back Panel
14	M50197	Gasket, "U" Shape
15	M50196	Gasket, Back
16	M50194	Gasket, Nozzle to Pod
17	M50154	Screw 8-32 x $\frac{3}{16}$ "
18	M5005	Lock Washer
19	M4222	RFI Filter, Vacuum Motor 230V
20	466A	Nut 8-32
*Not Illustrated	M30382	Circuit Breaker 220/240V

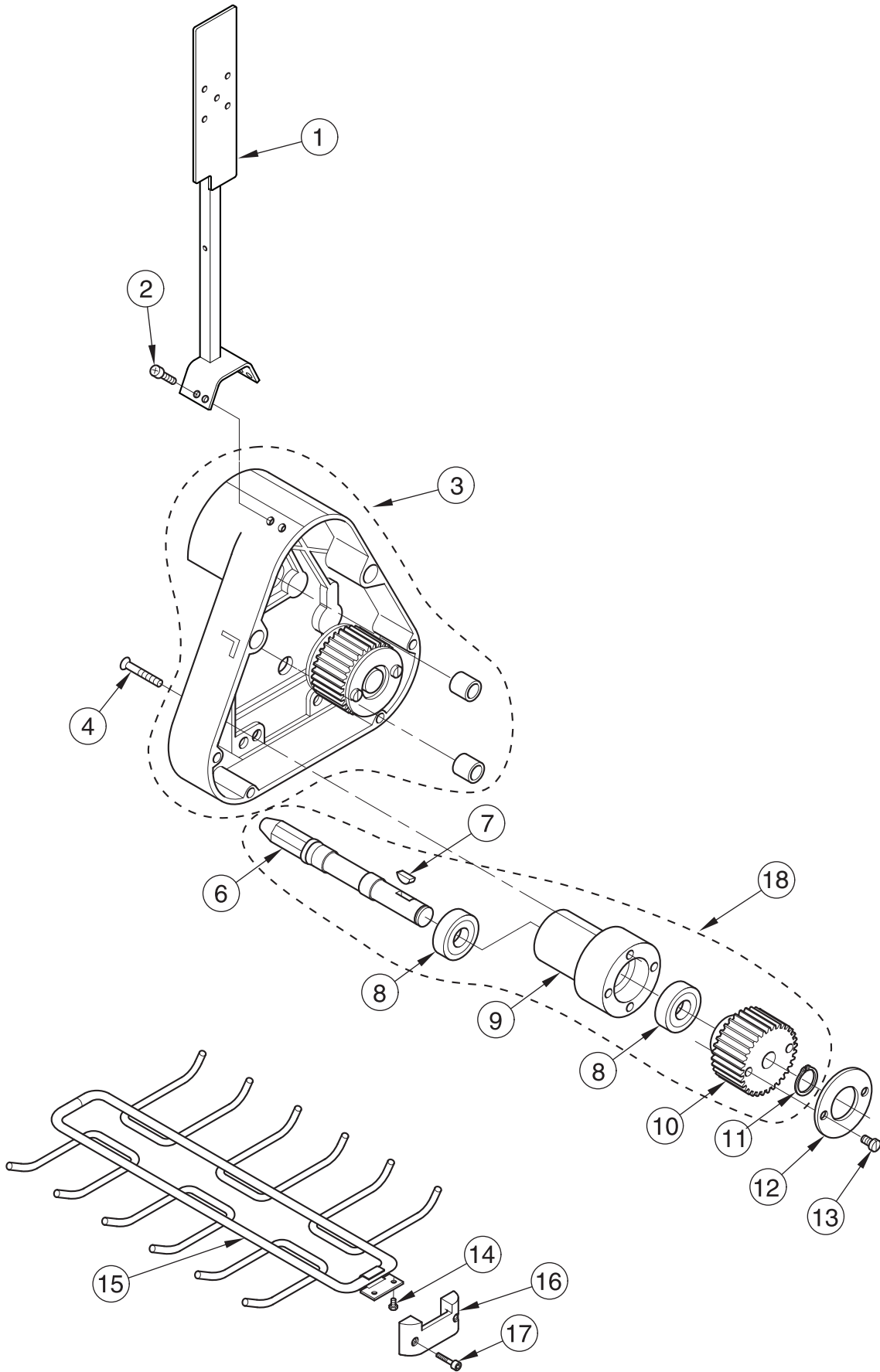


Code No.	Part No.	Description
1	M50151	Screw 10-32 x $\frac{3}{4}$ "
2	M50266	Handle Upright (Not Complete)
3	M50057	Handgrip (1 Required)
4	M50269	Set Screw $\frac{3}{8}$ "-16 x $\frac{3}{8}$ "
5	L5004	Spring, Ball Retainer
6	W242	Ball $\frac{1}{4}$ "
7	M2008	Snap Ring
8	M50268	Shaft, Handle Lock
9	M50049	Knob, Knurled
10	M50070	Decal, Round
11	M50152	Screw $\frac{1}{4}$ "-20 x $\frac{5}{8}$ "
12	H1154	Washer, Black Nylon
13	M50054	Nut, Brass
14	M50159	Spring
15	M50046	Temporary Detent Assembly
16	M50151	Screw 10-32 x $\frac{3}{4}$ " (8 Required)
17	M50045	Handle Pivot Sprocket
18	M50201	Decal Strip
19	M30215	Screw $\frac{1}{4}$ "-20 x $\frac{1}{2}$ "
20	F210	Washer
*Not Illustrated	M50270	Handle Assembly (Includes Code Nos. 2, 4-10, 13-15, 18)

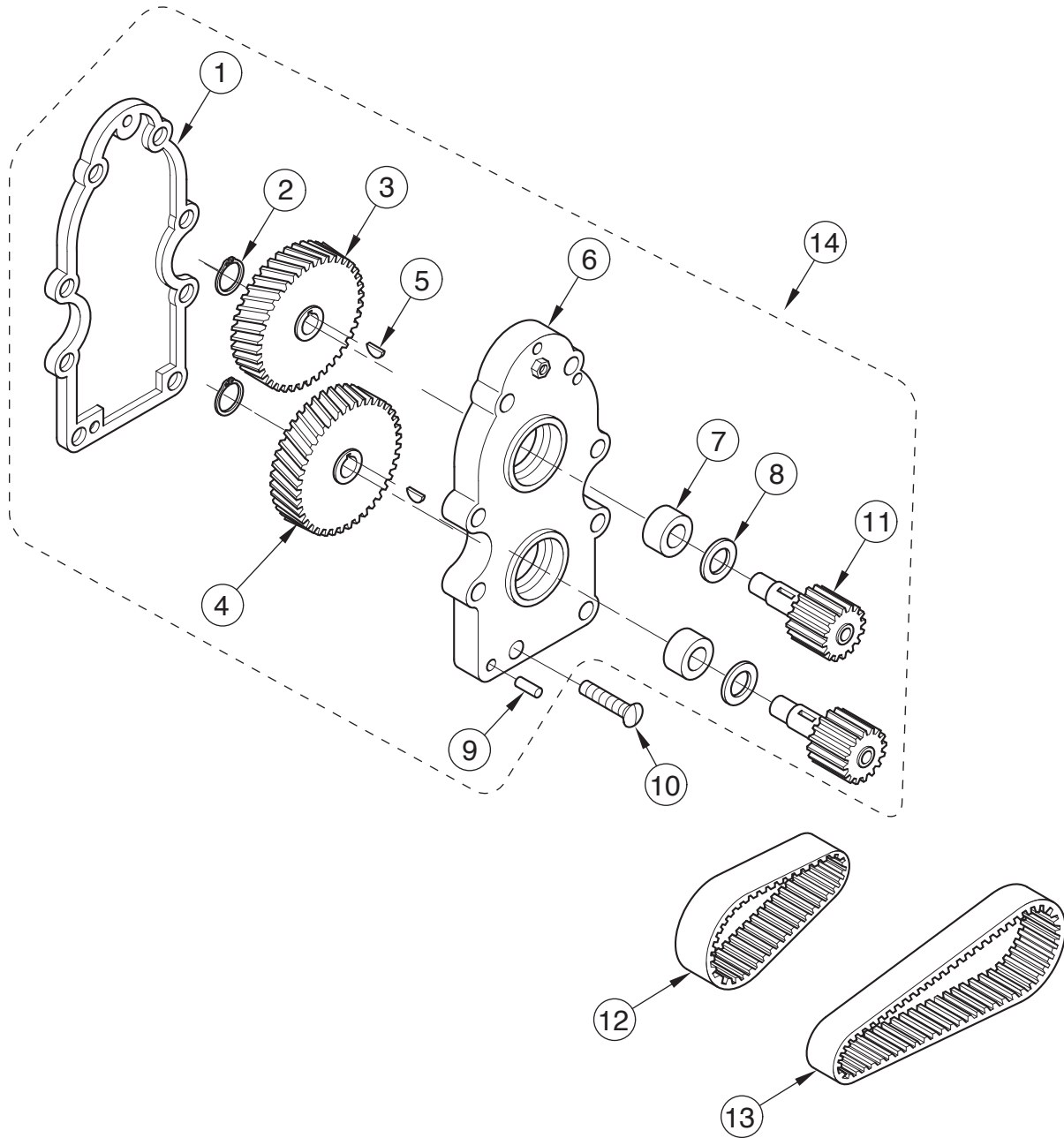
Note: (2) Required of each above required unless otherwise noted.



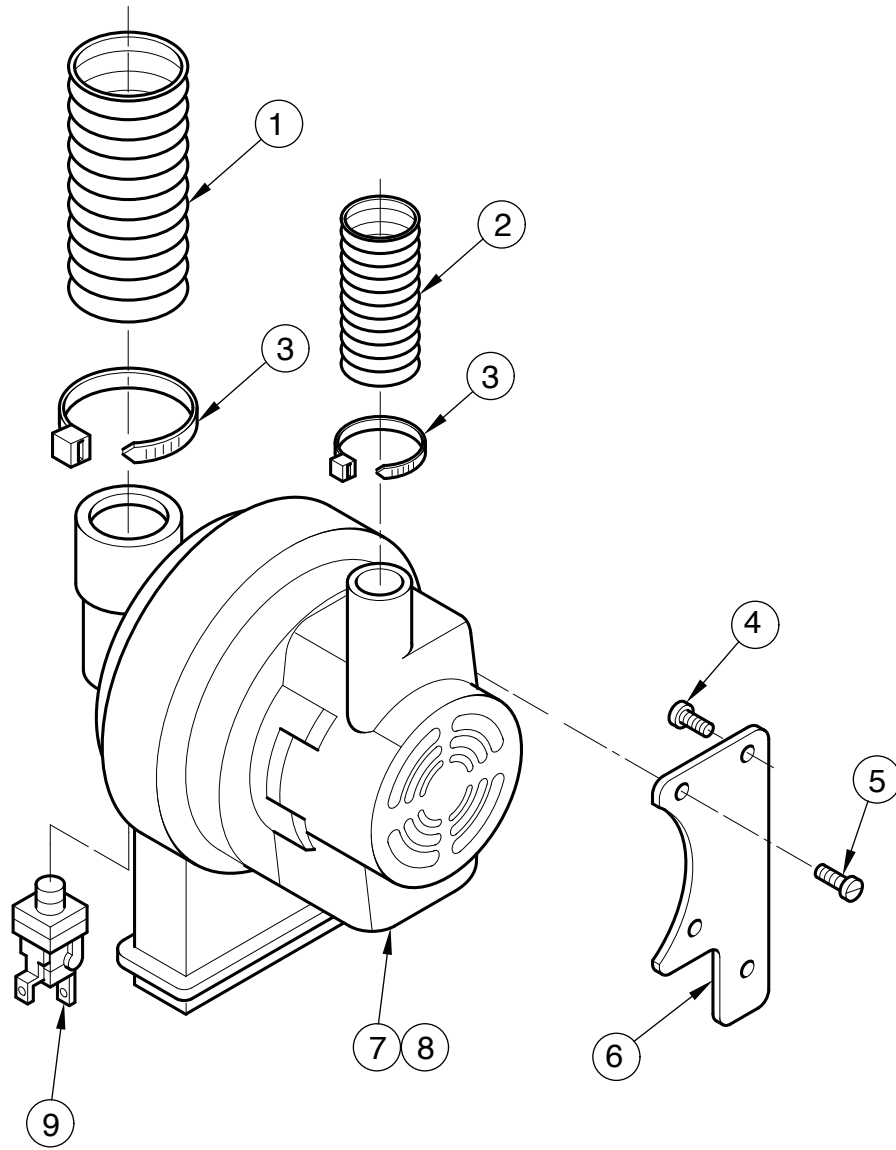
Code No.	Part No.	Description
1	M50076	Support Plate Assembly, Long
2	M30215	Screw ¼"-20 x ½" (4 Required)
3	H1070	Screw ¼"-20 x 1¼" (2 Required)
4	M50022	Exhaust Tube Assembly
5	1213	Cap, Carbon Brush Holder (2 Required)
6	M50385	Carbon Brush 120V (2 Required)
7	M50385	Carbon Brush 220V (2 Required)
8	M50468	Commutator End Bell Assembly
9	D443	Bearing (2 Required)
10	M50363	Armature 120V
11	M50383	Armature 220V
12	M50387	Armature 100V
13	M50428	Bolt (2 Required)
14	60	Nut 10-32 (2 Required)
15	M50365	Field Assembly 120V
16	M50384	Field Assembly 220V
17	M50388	Field Assembly 100V
18	M9008	Grommet
19	F1724	Set Screw (2 Required)
20	D174B	Screw 8-32 x ¼"
21	M5005	Lock Washer
22	M50166	Groundwire Assembly
23	U1193	RFI Filter, Brush Motor 230V
24	M50467	Motor Housing
25	M30668	Screw 10-32 x ⅝" (3 Required)
26	D277	Lock Washer (3 Required)
27	M50469	Fan End Bell Assembly
28	M50251	Screw 10-24 x ¾" (3 Required)
29	M50250	Adapter Ring
30	M50429	Motor Assembly 120V
31	M50430	Motor Assembly 230V
32	M50431	Motor Assembly 100V



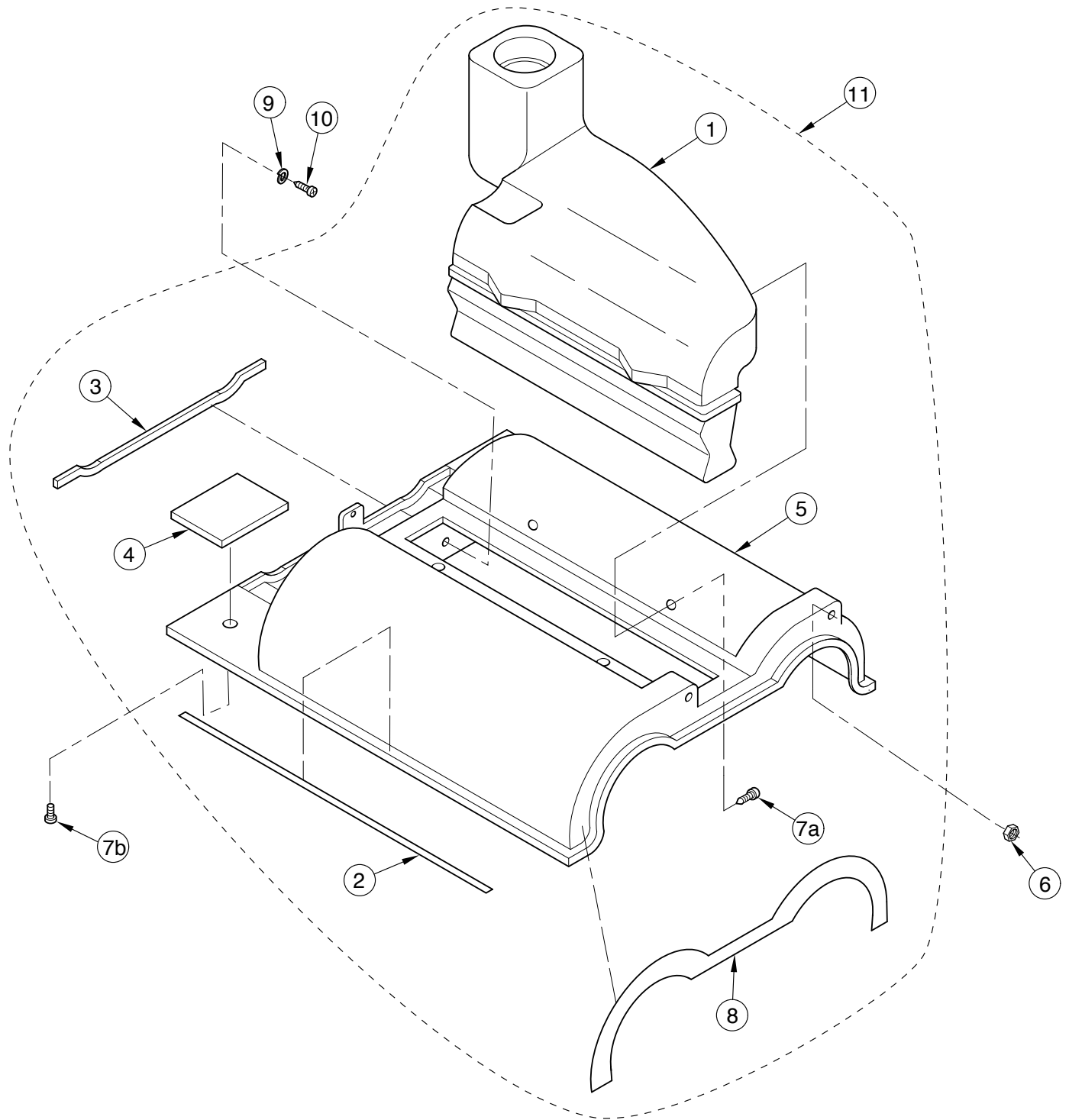
Code No.	Part No.	Description
1	M50077	Support Plate Assembly, Short
2	M30215	Screw 1/4"-20 x 1/2" (4 Required)
3	M50274	Outer Gear Case (Includes 2 bearings)
4	M50155	Screw 8-32 x 5/8" (8 Required)
6	M50440	Hex Shaft Assembly, Long (2 Required)
7	34A	Woodruff Key (2 Required)
8	U1602A	Bearing (4 Required)
9	M50030	Bearing Housing (2 Required)
10	M50358	Pulley (2 Required)
11	M2008	Retaining Ring (2 Required)
12	M2009A	Flange, Pulley (2 Required)
13	VM56A	Screw 6-32 x 5/16" (2 Required)
14	F2771	Screw 10-32 x 1/2" (2 Required)
15	M50107	Brush Guard Assembly
16	M50191	Ski, Brush Guard Cover
17	M50199	Screw 8-32 x 5/8" (2 Required)
18	M50471	Shaft Pully Assembly (2 Required)



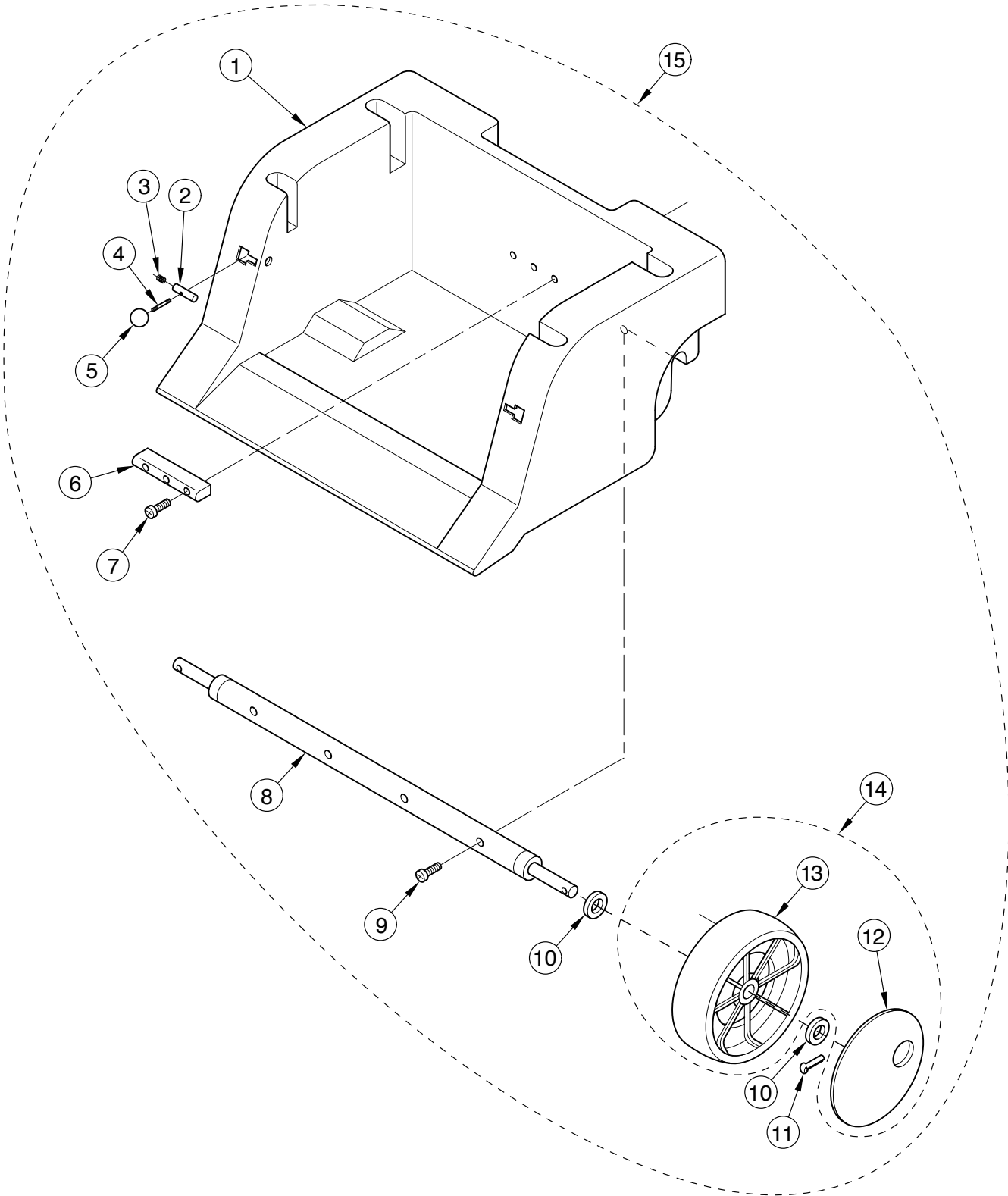
Code No.	Part No.	Description
1	M12010	Gasket, Inner Gear Case
2	M50351	Snap Ring (2 Required)
3	M50357	Gear, Left Hand
4	M50356	Gear, Right Hand
5	U1605A	Key (2 Required)
6	M50353	Inner Gear Case
7	M50352	Bearing (2 Required)
8	M50354	Flange, Pulley Spacer (2 Required)
9	M12013	Pin 1/8" x 3/4" (2 Required)
10	M12011A	Screw 10-32 x 13/16" (9 Required)
11	M50355	Pulley Shaft (2 Required)
12	M50038	Timing Belt, Short
13	M50041	Timing Belt, Long
14	M50378	Inner Gear Case Assembly (Includes Gasket)



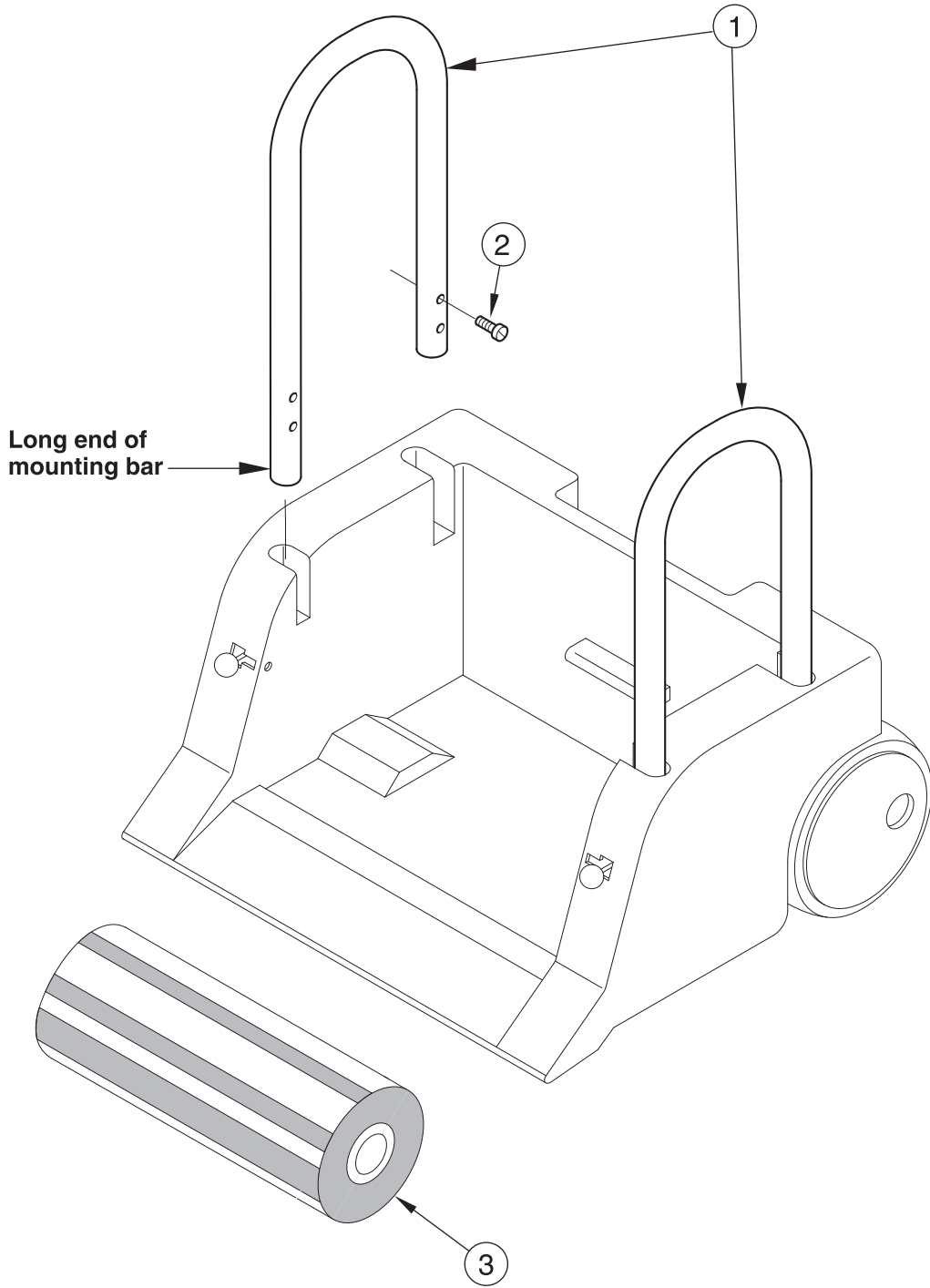
Code No.	Part No.	Description
1	M50097	Hose, 2" Dia Clear 14.75" Long
2	M50100	Hose, 1" Dia Clear 30" Long
3	X206	Cable Tie (2 Required)
4	M30145	Screw 8-32 x 1/2" Thread Forming (2 Required)
5	M30216	Screw 10-16 x 5/8" Self Tapping (2 Required)
6	M50055	Plate, Motor Mounting
7	M50113	Vac Motor Assembly 120V
8	M50209	Vac Motor Assembly 230V
9	M30052	Switch, Clean Filters



Code No.	Part No.	Description
1	M50009	Pickup Nozzle
2	M50095	Gasket (2 Required)
3	M50091	Gasket, Gear Case Bottom
4	M50096	Gasket (2 Required)
5	M50020	Hood, Inner
6	466A	Nut 8-32 (2 Required)
7	M30145	Screw 8-32 x 1/2" Thread Forming a) Pickup Nozzle to Inner Hood (4 Required) b) Hood to Pod (2 Required)
8	M30283	Gasket, Double Arch
9	U1018A	Washer 1/2" (2 Required)
10	V115	Screw 10-24 x 7/16" (2 Required)
11	M50347	Inner Hood Nozzle Assembly (Includes Code Nos. 1-5, 7a, 8)



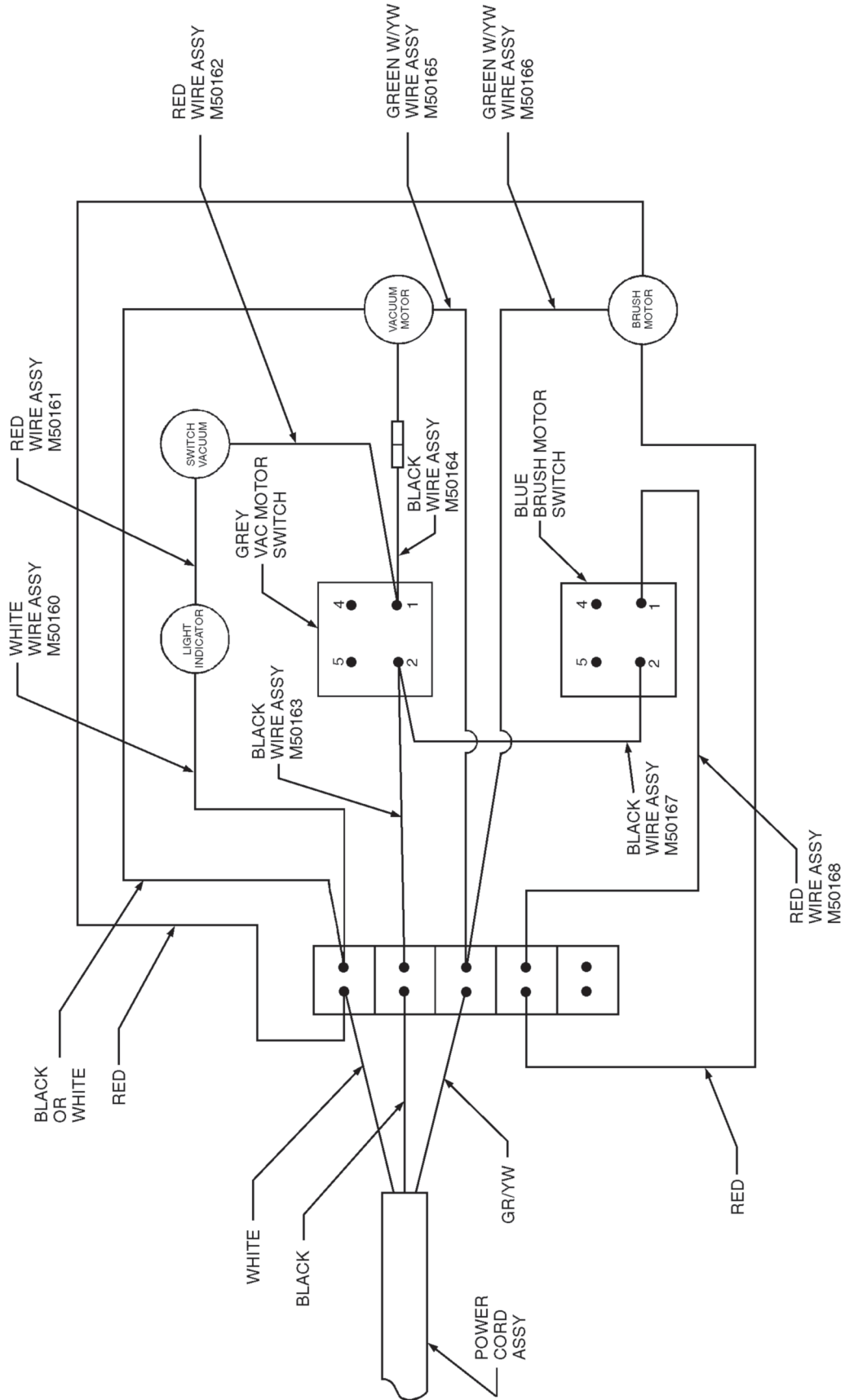
Code No.	Part No.	Description
1	M50011	Caddy
2	M50124	Lock Bolt (2 Required)
3	M50140	Spring (2 Required)
4	M50125	Lock Lever (2 Required)
5	M50139	Knob (2 Required)
6	M50145	Locating Strip
7	M50146	Screw 10-32 x 1" (3 Required)
8	M50136	Axle Assembly
9	H1070	Screw ¼"-20 x 1¼" (4 Required)
10	F817	Washer, Nylon (4 Required)
11	F507	Cotter Pin (2 Required)
12	F823	Hub Cap (2 Required)
13	F824	Wheel (2 Required)
14	M50337	Wheel & Hub Cap Assembly (Includes Code Nos. 12, 13)
15	M50403	Caddy Assembly (Includes Code Nos. 1-13)



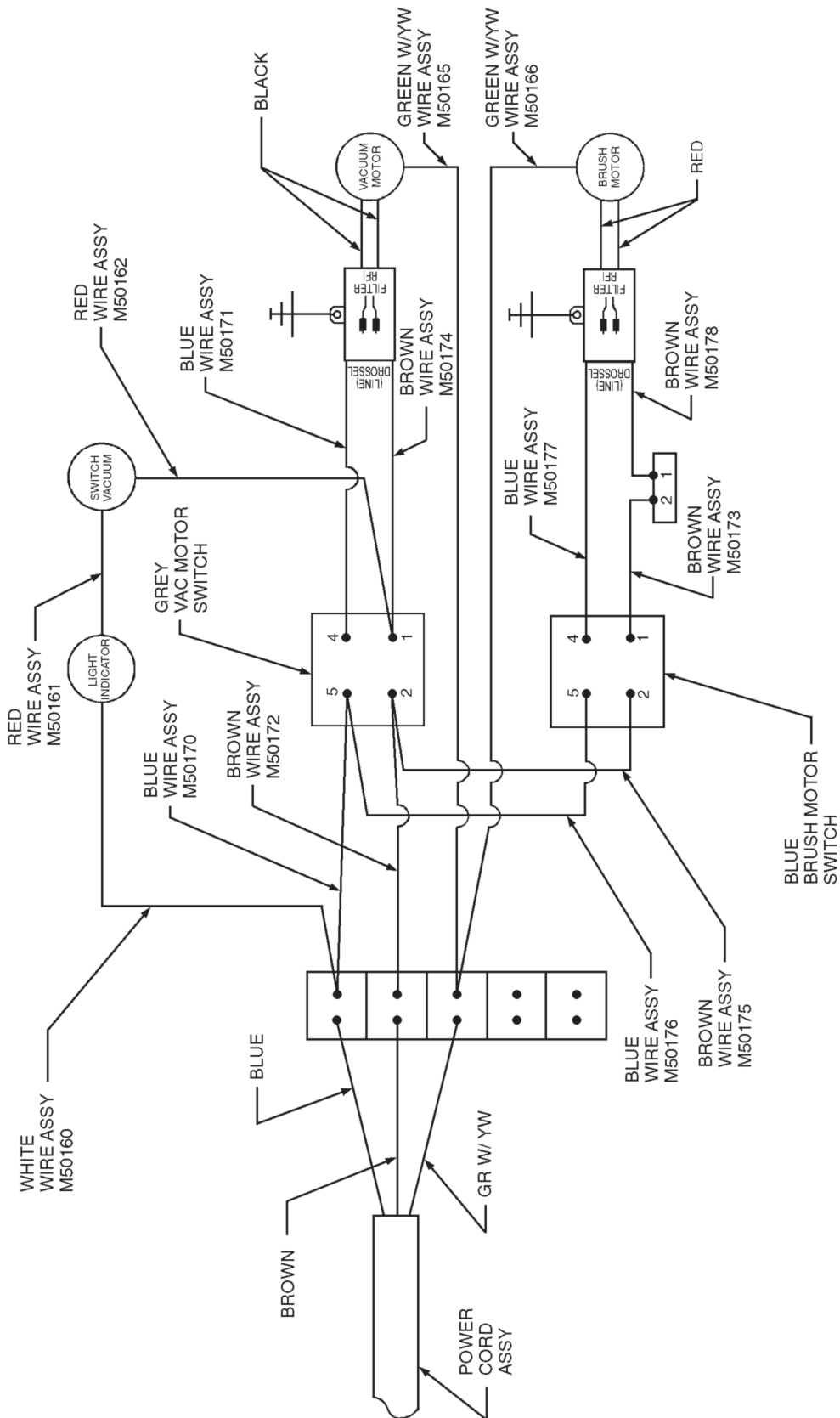
Code No.	Part No.	Description
1	M50133	Caddy Accessory Pack Mounting Bar (2 Required)
2	H1070	Screw ¼-20 X 1¼" (8 Required)
3	See Below	Brush (2 Required)

Brushes (Assembly Contains 2)

M50221	Brush Assembly, White (Standard)
M50222	Brush Assembly, Beige (Soft)
M50223	Brush Assembly, Zebra (Firm)
M50263	Brush Assembly, Red (Firm, for Grouted Tile Only)



Wiring Diagram 100/120V



Wiring Diagram 220/240V

© 2015
Racine International, LLC.
1405 Sixteenth Street
Racine, WI 53403 USA

☎ (800) 558-9439
☎ (262) 637-4491
FAX (262) 637-0558
www.hostdry.com



host
The Dry Extraction
Carpet Cleaning System

HOST, Liberator and extractorVAC are registered trademarks of Racine International, LLC. Racine, Wisconsin USA.

M50206(W) 1/24/18