



The Dry Extraction
Carpet Cleaning System



Freestyle

**T7/T71/T73
M40000/M40001/M40003**

REPAIR PARTS CATALOG NO. M30202(R)
For Machines with Serial No. T6183-T9031
ISSUED July 2009

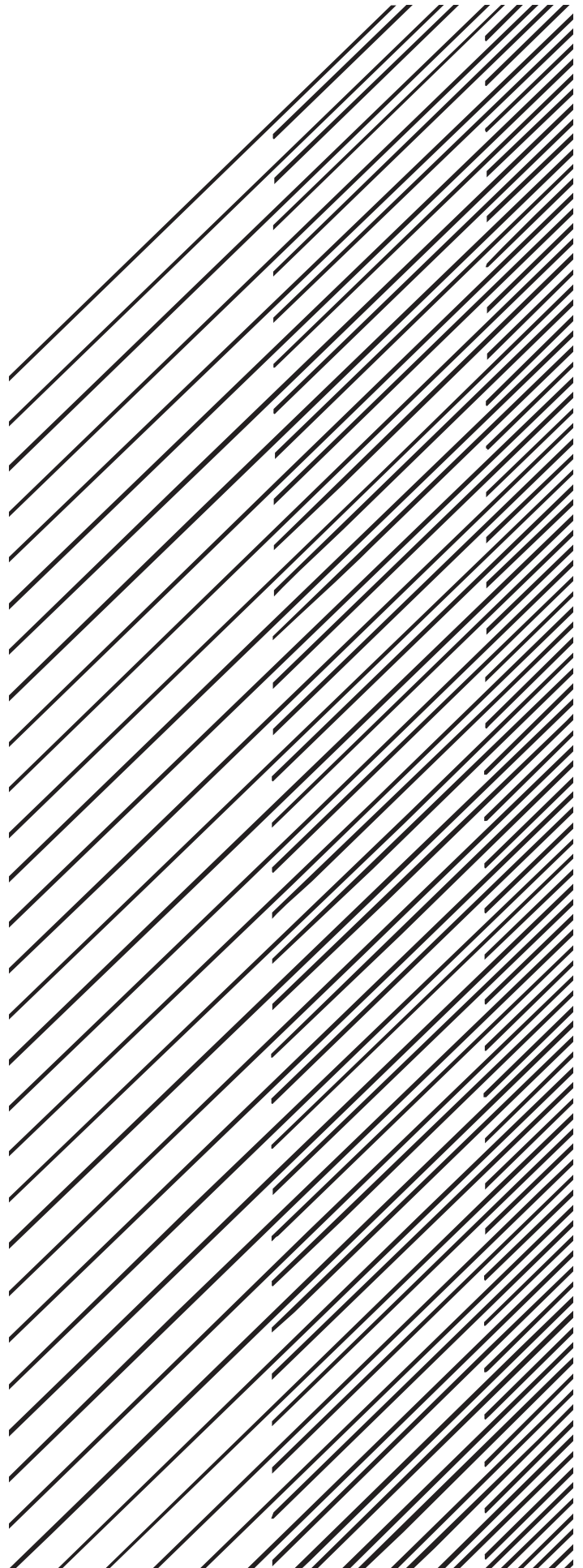
ORDERS

Please use Part Numbers when ordering and include the the machine Serial Number (found on the electrical data plate) to insure that you will receive the correct parts.

Order from your HOST Distributor.

Racine International, LLC.
1405 Sixteenth Street
P.O. Box 1648
Racine, WI 53401 USA

☎ 1-262-637-4491
☎ 1-800-558-9439
FAX 1-262-637-0558
www.hostdry.com

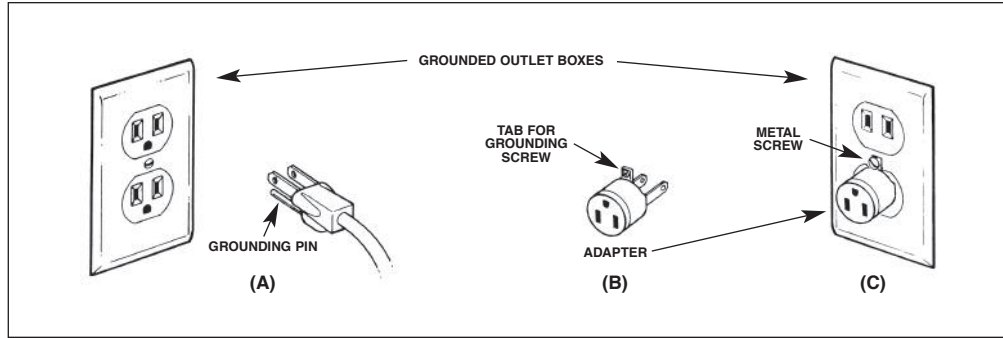


**SAVE THESE INSTRUCTIONS
READ ALL INSTRUCTIONS BEFORE USING THIS MACHINE**

WHEN USING ELECTRICAL EQUIPMENT, BASIC PRECAUTIONS SHOULD ALWAYS
BE FOLLOWED, INCLUDING THE FOLLOWING:

WARNING—TO REDUCE THE RISK OF FIRE, ELECTRIC SHOCK, OR INJURY

1. Do not leave machine when plugged in. Unplug from outlet when not in use and before servicing.
2. Do not use outdoors or on wet surfaces.
3. Do not allow to be used as a toy. Close attention is necessary when used by or near children.
4. Use only as described in manufacturer's Instruction Manual. Use only manufacturer's recommended attachments.
5. Inspect cord for damage before each use. Do not use with damaged cord or plug. If machine is not working as it should, has been dropped, damaged, left outdoors, or dropped into water, return it to the manufacturer or authorized repair center.
6. Do not pull or carry by cord, use cord as a handle, close a door on cord, or pull cord around sharp edges or corners. Do not run machine over cord. Keep cord away from heated surfaces.
7. Do not unplug by pulling on cord. To unplug, grasp the plug not the cord.
8. Do not handle plug or machine with wet hands.
9. Do not put any object into openings. Do not use with any opening blocked; keep free of dust, lint, hair, and anything that may reduce air flow.
10. Keep hair, loose clothing, fingers, and all parts of body away from openings and moving parts.
11. Turn off all controls before unplugging.
12. Use extra care when cleaning on stairs.
13. Do not use to pick up flammable or combustible liquids such as gasoline or use in areas where they may be present.
14. Do not use to pick up anything that is burning or smoking, such as cigarettes, matches, or hot ashes.
15. Do not use for picking up health-endangering dust such as asbestos.
16. Do not use as a wet vacuum.
17. Do not use without filters in place.
18. Connect to a properly grounded outlet only. See Grounding Instructions.
19. This machine is to be used with HOST® carpet cleaning products only. Use of other cleaning products may damage this machine.



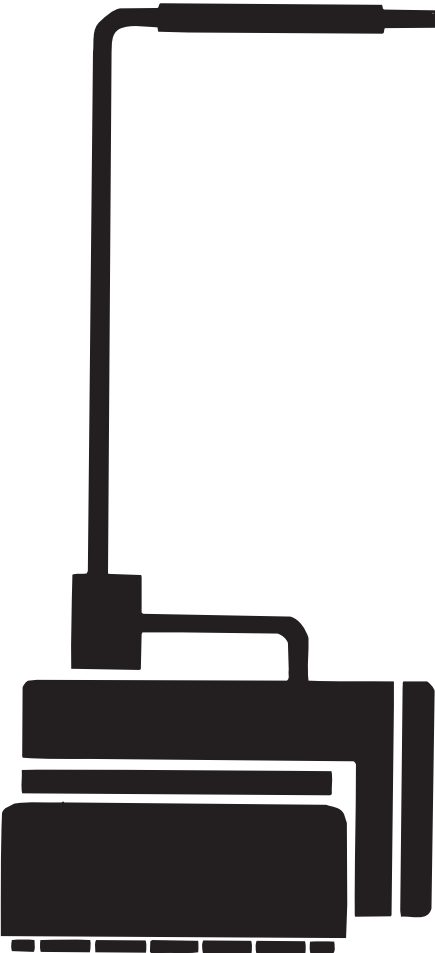
This machine must be grounded. If it should malfunction or break down, grounding provides a path of least resistance for electric current to reduce the risk of electric shock. This machine is equipped with a cord having an equipment-grounding conductor and grounding plug. The plug must be inserted into an appropriate outlet that is properly installed and grounded in accordance with all local codes and ordinances.

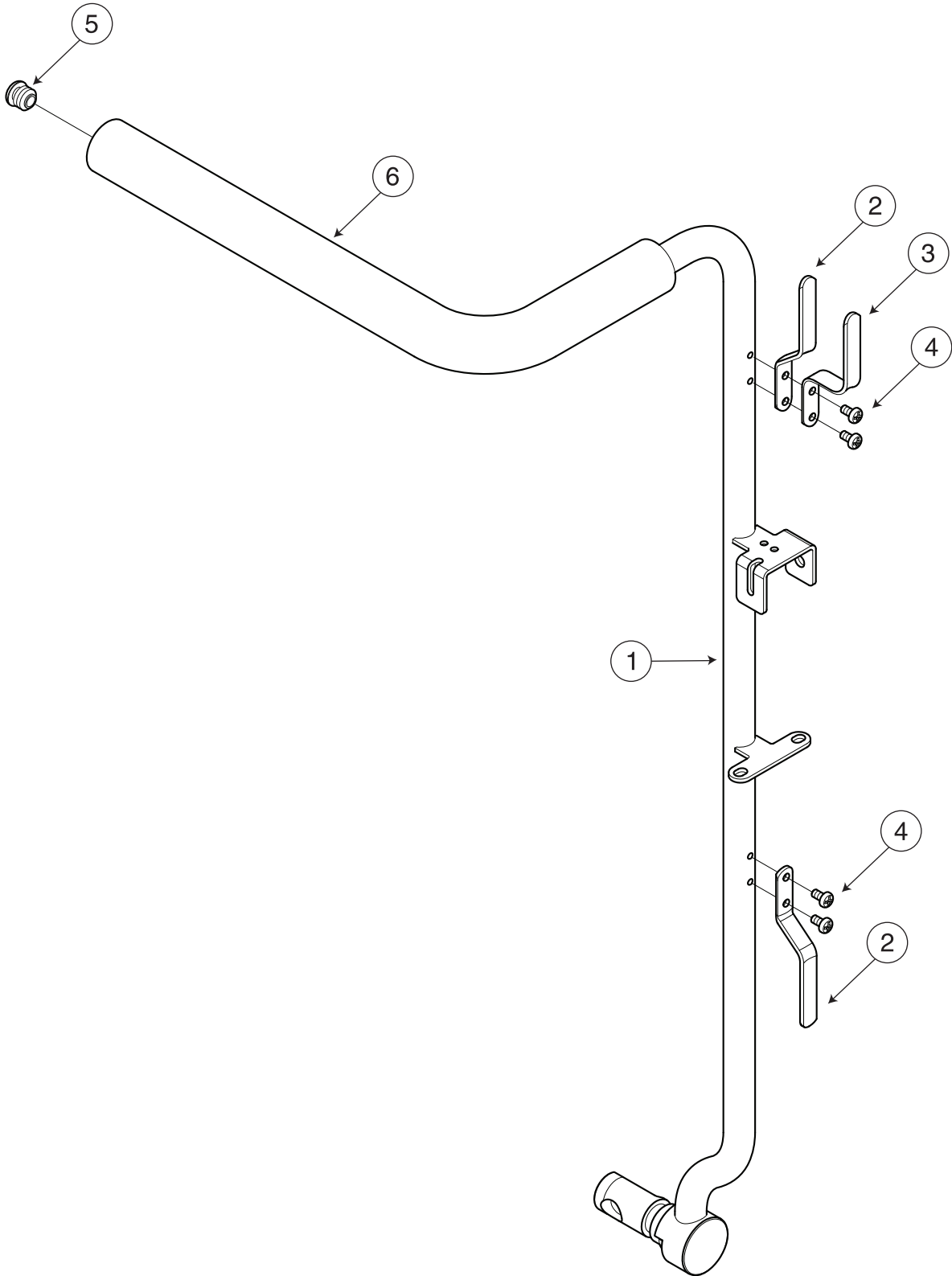
WARNING: Improper connection of the equipment-grounding conductor can result in the risk of electric shock. Check with a qualified electrician or service person if you are in doubt as to whether the outlet is properly grounded. Do not modify the plug provided with the machine. If it will not fit the outlet, have a proper outlet installed by a qualified electrician.

This machine is for use on a nominal 120 volt circuit, and has a grounded plug that looks like the plug illustrated in **Diagram A**. A temporary adapter that looks like the adapter illustrated in **Diagram B** may be used to connect this plug to a 2-pole receptacle as shown in **Diagram C** if a properly grounded outlet is not available. The temporary adapter should be used only until a properly grounded outlet can be installed by a qualified electrician. The green colored rigid ear, lug, or the like extending from the adapter as illustrated in **Diagram B**, must be connected to a permanent ground outlet box cover. Whenever the adapter is used, it must be held in place by a metal screw as shown in **Diagram C**.

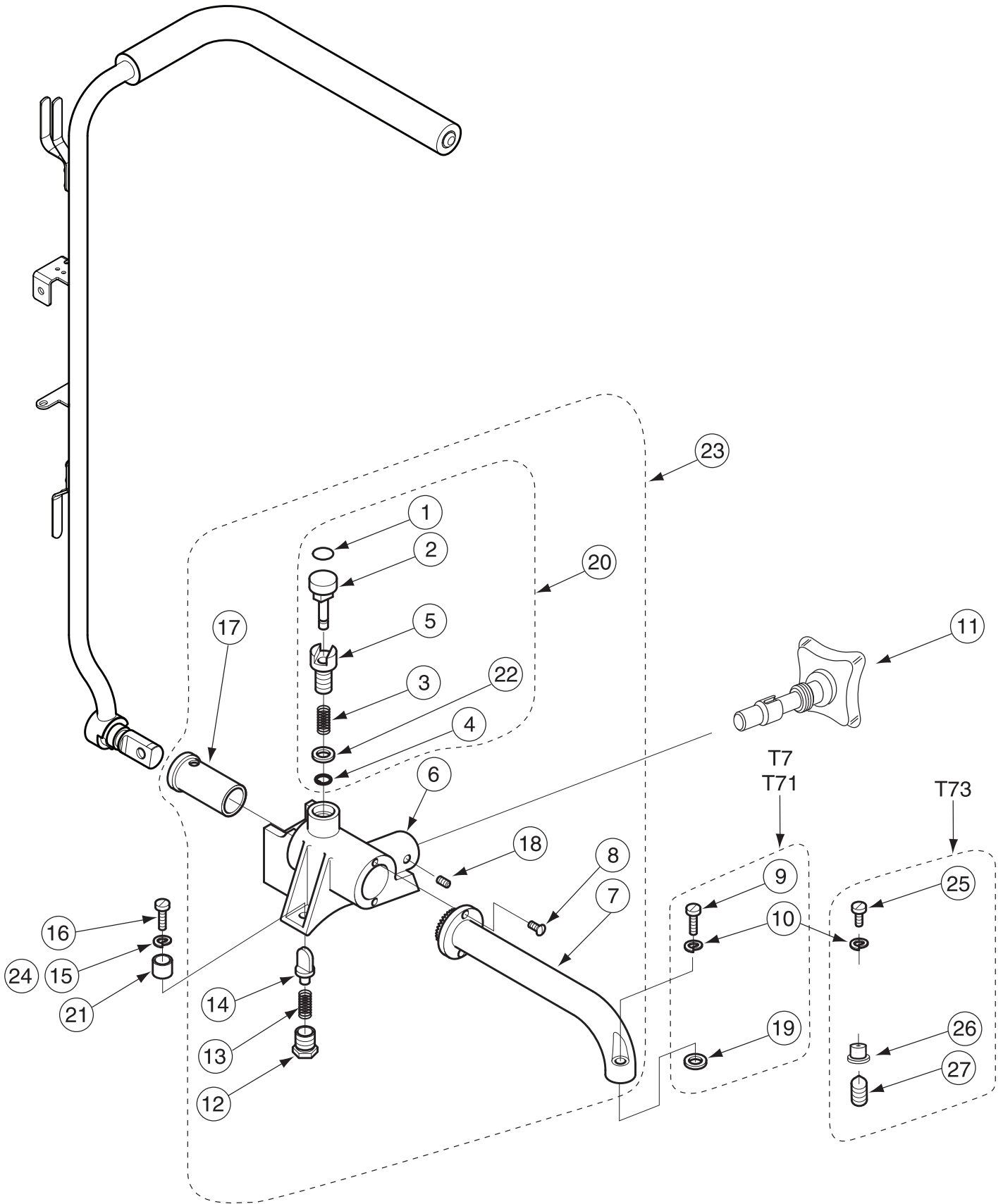
Note: In Canada, the use of a temporary adapter is not permitted by the Canadian Electrical Code.

Safety Instructions _____	2
Grounding Instructions _____	3
Section I - T7/T71/T73 Parts _____	5
Operating Handle Assembly _____	6/7
Lifting Handle Assembly _____	8/9
Motor Case Assembly _____	10/11
Outer Gear Case Assembly _____	12/13
Inner Gear Case Assembly _____	14/15
Motor Shroud Assembly _____	16/17
Nozzle/Inner Hood Assembly _____	18/19
Brush & Tray Assembly _____	20/21
Wiring Diagram - 100/120V _____	22
Wiring Diagram - 220/240V _____	23
Section II - M40000/M40001/M40003 VAC Parts _____	25





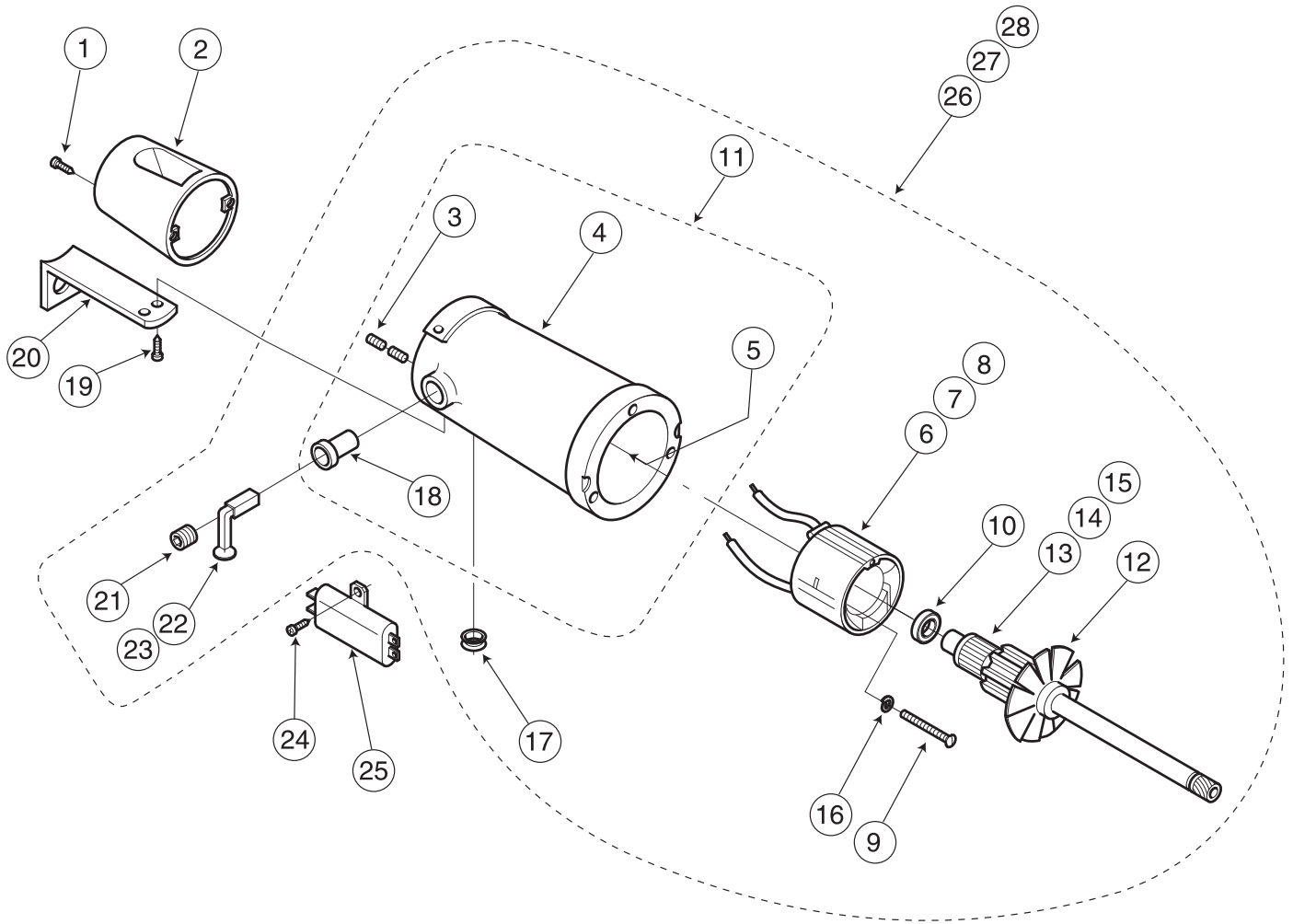
Code No.	Part No.	Description
	M30592	Operating Handle Assembly (Includes Code Nos. 1-6)
1	M30591	Handle, Pinned & Welded
2	K1031	Cord Hook (2 Required)
3	K1030	Cord Clip (T7)
4	M7053B	Screw 10-32 x 3/8" (4 Required)
5	M30600	Tube Plug
6	M30604	Foam Grip
*Not Illustrated	M30595	Strain Relief (T71)



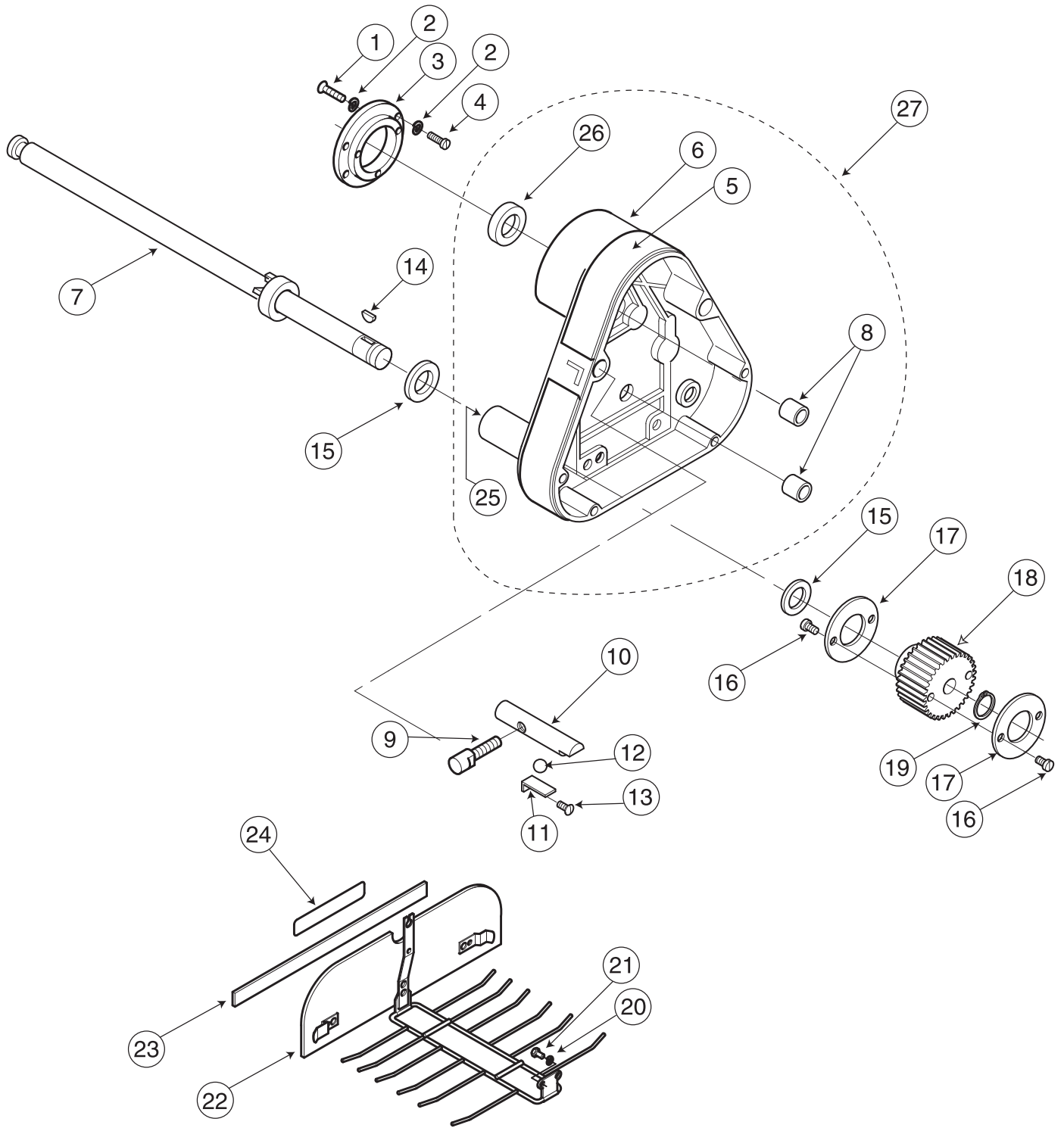
Code No.	Part No.	Description
1	M30140	Decal, Handle Release
2	M30101	Plunger, Handle Release
3	M30117	Spring
4	M30104	Retaining Ring ¼" Shaft
5	M30100	Retainer, Handle Release
6	M30553	Handle Support
7	M30456	Lifting Handle Weldment
8	M30281	Screw 10-32 x ½" (2 Required)
9	M6419A	Screw 10-32 x 1½" (T7/T71)
10	D277	Lockwasher #10
11	M30556	Lock Shaft Assembly
12	M30098	Retainer, Temporary Detent
13	M30102	Spring
14	M30182	Temporary Detent
15	603	Lockwasher ¼" (2 Required) (T7/T71)
16	L5002	Screw 1/4-20 x ¾" (2 Required)
17	M30452	Flange Bearing
18	M30555	Set Screw 8-32 x ¼"
19	M30525	Washer, Flat (T7/T71)
20	M30365	Handle Release Assembly
21	M30378	Insulator Tube (2 Required)
22	M30201	Washer, Flat
23	M30554	Lifting Handle Assembly

T73 ONLY

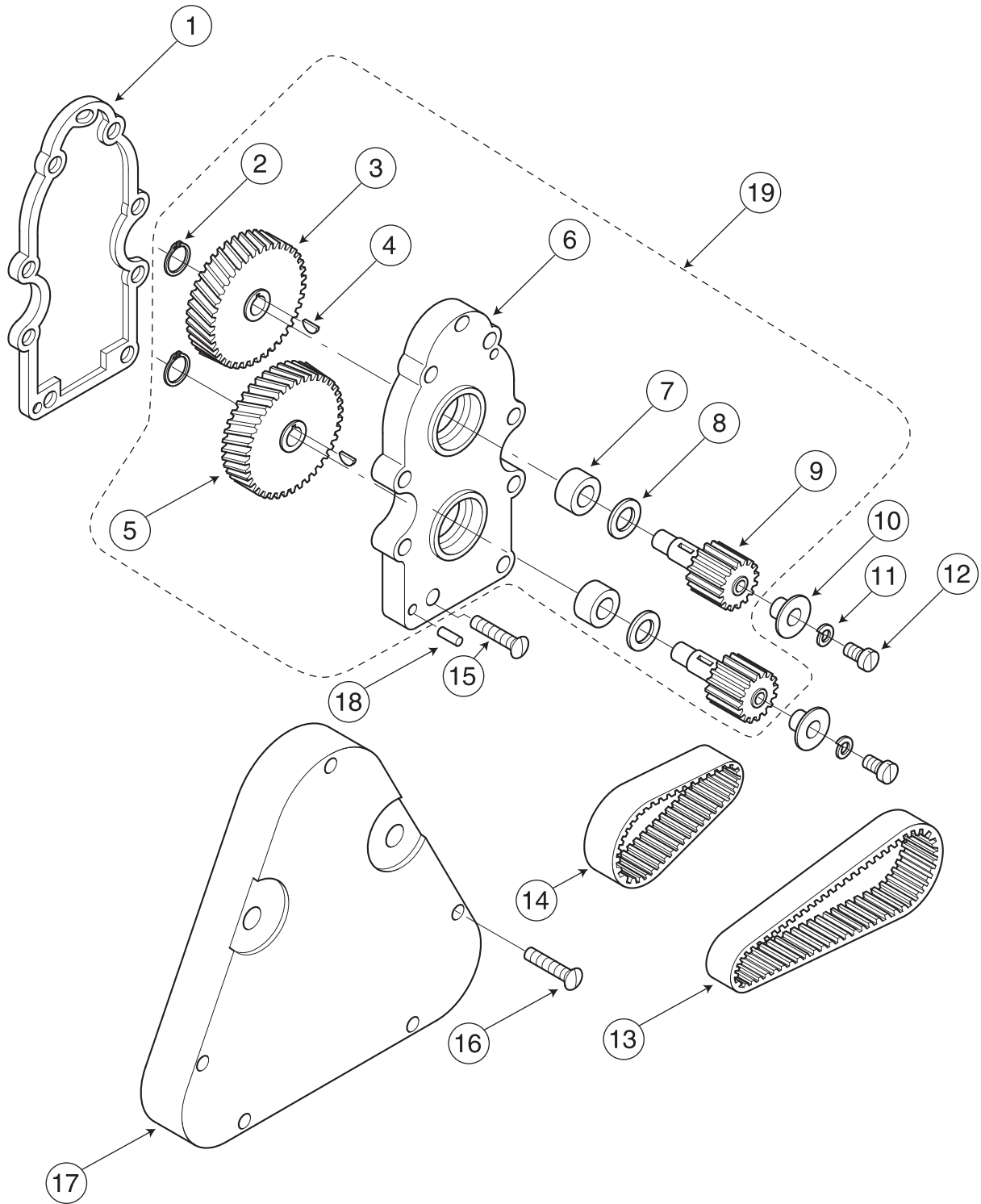
24	W529	Washer, Flat Nylon (2 Required)
25	M7053B	Screw 10-32 x ⅜"
26	M30377	Insulator
27	75	Set Screw 10-32 x ¾"



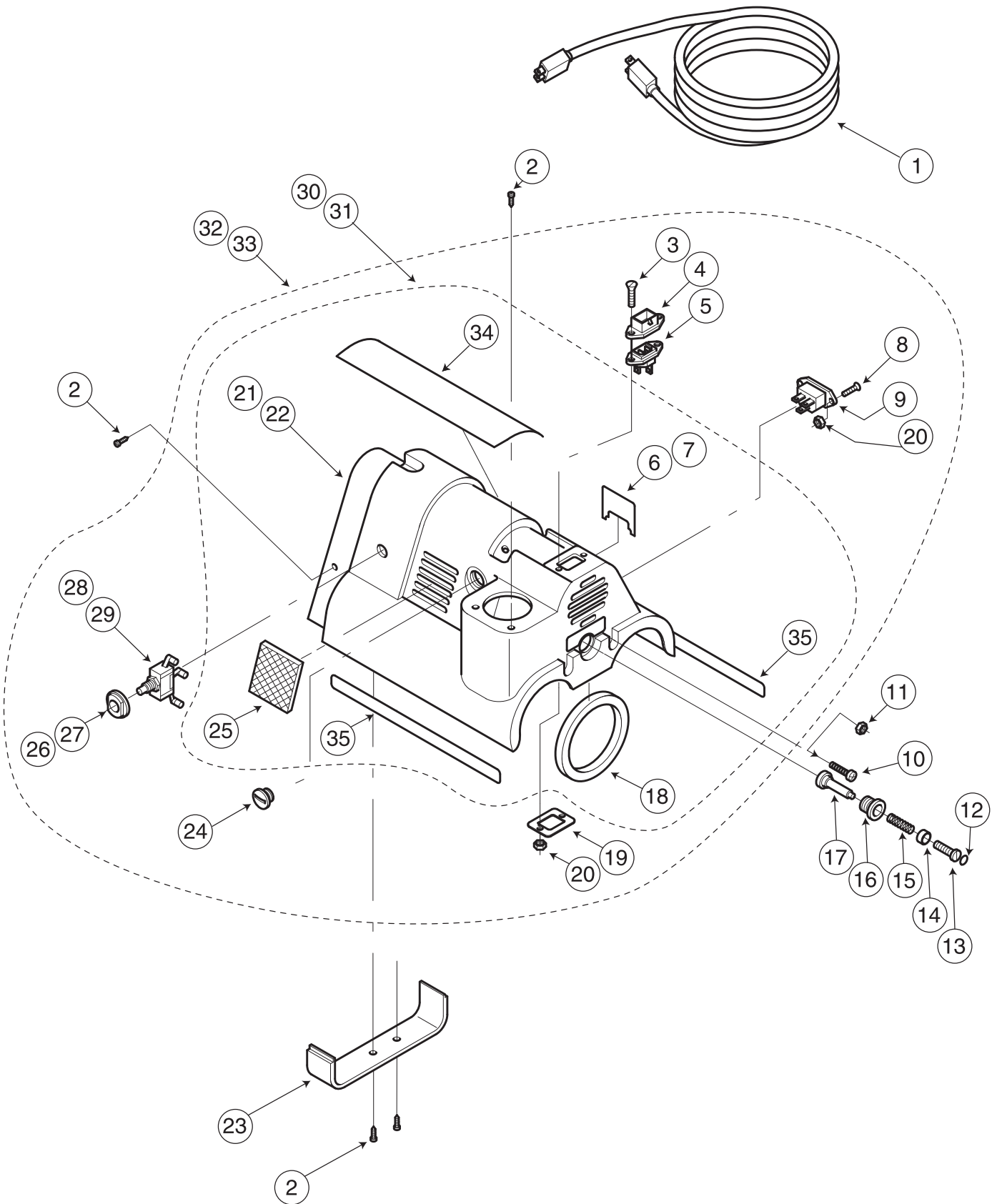
Code No.	Part No.	Description
1	H1072	Screw 8-32 x 1/2" (2 Required))
2	M30062	Motor Exhaust Duct
3	D365	Set Screw 10-24 x 3/16" (4 Required)
4	M30122	Motor Case (Includes Code No. 5)
5	M50325	Tolerance Ring
6	M30373	Field 100V (T73)
7	M6100NA	Field 120V (T7)
8	M30294	Field 220/240V (T71)
9	M6006B	Screw 8-32 x 3/8" (2 Required)
10	M12002A	Bearing
11	M30537	Motor Case & Carbon Brush Holder Assembly
12	M30131	Fan, Armature
13	M30372	Armature 100V (Includes Code No. 12)
14	M30132	Armature 120V (Includes Code No. 12)
15	M30293	Armature 220/240V (Includes Code No. 12)
16	M5005	Washer #8 (2 Required)
17	M9008	Grommet (2 Required)
18	M6013	Carbon Brush Holder (2 Required)
19	M7053B	Screw 10-32 x 3/8" (2 Required)
20	M30094	Support Bracket
21	VM16	Cap, Carbon Brush Holder (2 Required)
22	M30578	Carbon Brush Assembly 100V/120V (2 Required)
23	M30578	Carbon Brush Assembly 220/240V (2 Required)
24	D174B	Screw 8-32 x 1/4"
25	M4222	RFI Filter 220/240V (T71)
26	M30547	Motor Case Assembly 100V (T73) (Also includes Part No. M30133 Bearing)
27	M30546	Motor Case Assembly 120V (T7) (Also includes Part No. M30133 Bearing)
28	M30545	Motor Case Assembly 220/240V (T71) (Includes Code Nos. 24, 25 and Part No. M30133 Bearing)



Code No.	Part No.	Description
1	M9019	Screw 10-24 x 1" (3 Required)
2	D277	Lockwasher #10 (6 Required)
3	M30115	Mounting Flange
4	F2771	Screw 10-32 x ½" (3 Required)
5	M30361	Gasket, Outer Gear Case
6	M30157	Gear Case Assembly
7	M30541	Brush Shaft Assembly
8	M6003A	Bearing (2 Required)
9	M30085	Lock Lever
10	M30610	Lock, Caddy
11	M11007A	Spring, Ball-Detent
12	W242	Ball-Detent
13	M11008	Screw 6-32 x ⅝"
14	34A	Woodruff Key (2 Required)
15	M2005	Washer, Nylon (4 Required)
16	VM56A	Screw 6-32 x ⅝", Self-Tapping (8 Required)
17	M2009A	Pulley Flange (4 Required)
18	M2006C	Belt Pulley (2 Required)
19	M2008	Retaining Ring ½" Shaft (2 Required)
20	D277	Lockwasher #10 (2 Required)
21	V115	Screw 10-24 x ⅝" (2 Required)
22	M30069	Brush Guard Assembly (Includes Code No. 23)
23	M30136	Hook Fastener
24	M30142	Decal, Warning
25	M11109A	Needle Bearing for Brush Shafts (4 Required)
26	M30133	Bearing
27	M30542	Outer Gear Case & Bearing Assembly



Code No.	Part No.	Description
1	M12010	Gasket
2	U1423	Retaining Ring $\frac{3}{8}$ " Shaft (2 Required)
3	M12042	Gear, Left Hand
4	U1605A	Woodruff Key (2 Required)
5	M12043	Gear, Right Hand
6	M12018	Inner Gear Case
7	M9002	Bearing (2 Required)
8	M12019	Pulley Flange (2 Required)
9	M12044	Pulley Shaft (2 Required)
10	M12008A	Pulley Cap (2 Required)
11	D277	Lockwasher #10 (2 Required)
12	F2771	Screw 10-32 x $\frac{1}{2}$ " (2 Required)
13	M12015B	Belt, Long
14	M12014B	Belt, Short
15	M12011A	Screw 10-32 x $\frac{13}{16}$ " (9 Required)
16	M13015	Screw 6-32 x $1\frac{1}{4}$ " (5 Required)
17	M30066	Gear Case Cover
18	M12013	Dowel Pin $\frac{1}{8}$ " x $\frac{3}{4}$ " (2 Required)
19	M12040	Inner Gear Case Assembly
*Not Illustrated	M12012	Grease, Lithium Base

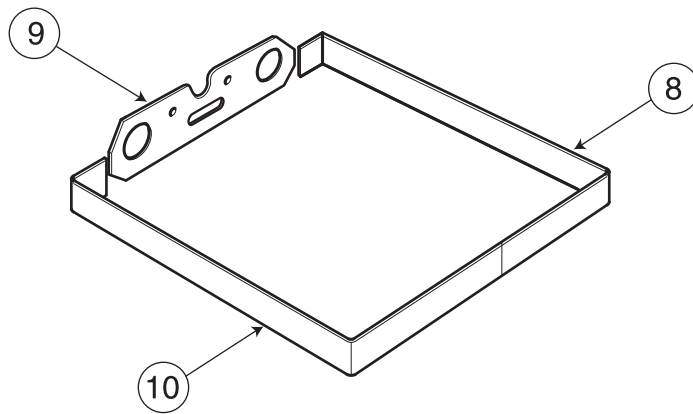
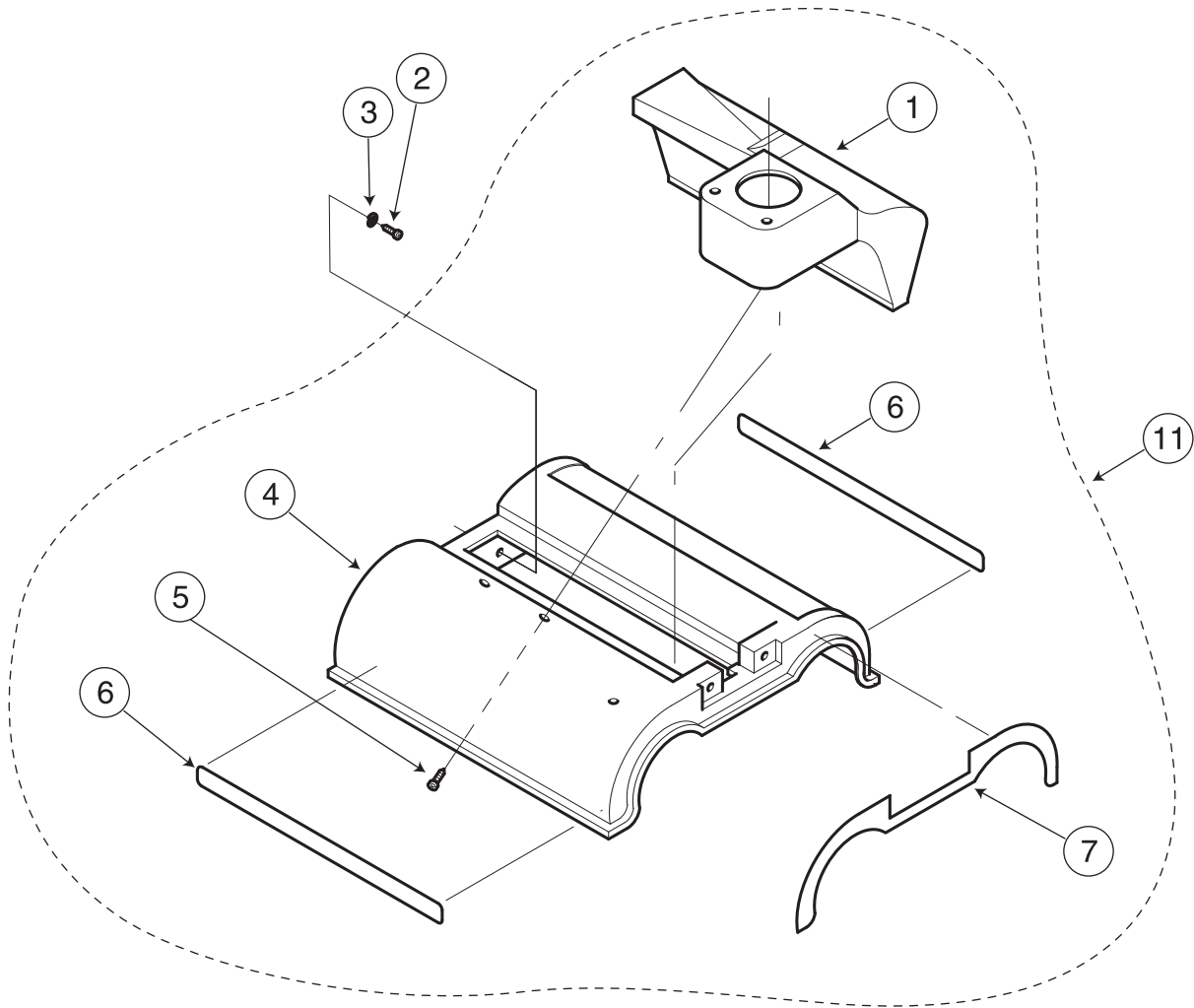


Code No.	Part No.	Description
1	See Below	Power Supply Cord
2	M30145	Screw 8-32
3	U534	Screw 6-32 x 5/8" (2 Required)
4	M30089	Cord Lock
5	M4256	Cord Inlet Connector
6	M30143	Decal, Accessory Receptacle (T7/T73)
7	M30288	Decal, Accessory Receptacle (T71)
8	F4112	Screw 6-32 x 5/8" (2 Required)
9	M30090	Accessory Receptacle
10	H1072	Screw 8-32 x 1/2", Inner Hood to Motor Shroud (2 Required)
11	466A	Nut 8-32, Hood to Gear Case (2 Required)
12	M30139	Decal, Brush Guard Release
13	M30362	Screw 6-32 x 1/2"
14	M30075	Button, Brush Guard Release
15	M30077	Spring
16	M30074	Housing, Brush Guard Release
17	M30076	Shaft, Brush Guard Release
18	M30093	Gasket, Motor Exhaust
19	M30071	Backing Plate
20	F1129	Nut 6-32
21	M30065	Motor Shroud (T7/T73)
22	M30369	Motor Shroud (T71)
23	M30105	Bottom Cover
24	M30086	Cap, Carbon Brush Access (2 Required)
25	M30083	Intake Air Filter (2 Required)
26	M30072	Nut, Switch (T7/T73)
27	M30581	Nut, Switch (T71)
28	M30092	Switch, On/Off 120V (T7/T73)
29	M30627	Switch, On/Off 220/240V (T71)
30	M30153	Motor Shroud Assembly 100/120V (T7/T73)
31	M30383	Motor Shroud Assembly 220/240V (T71) (Also includes Code Nos. 36, 37)
32	M30535	Motor Shroud Assembly w/ Switches 100/120V (T7/T73)
33	M30536	Motor Shroud Assembly w/ Switches 220/240V (T71) (Also includes Code No. 38)
34	M30046	Decal, HOST® Machine
35	M30568	Hook Fastener (2 Required)
*36	M30367	Decal, Switch 220/240V (T71)
*37	M30368	Decal, Circuit Breaker 220/240V (T71)
*38	M30382	Circuit Breaker 220/240V (T71)

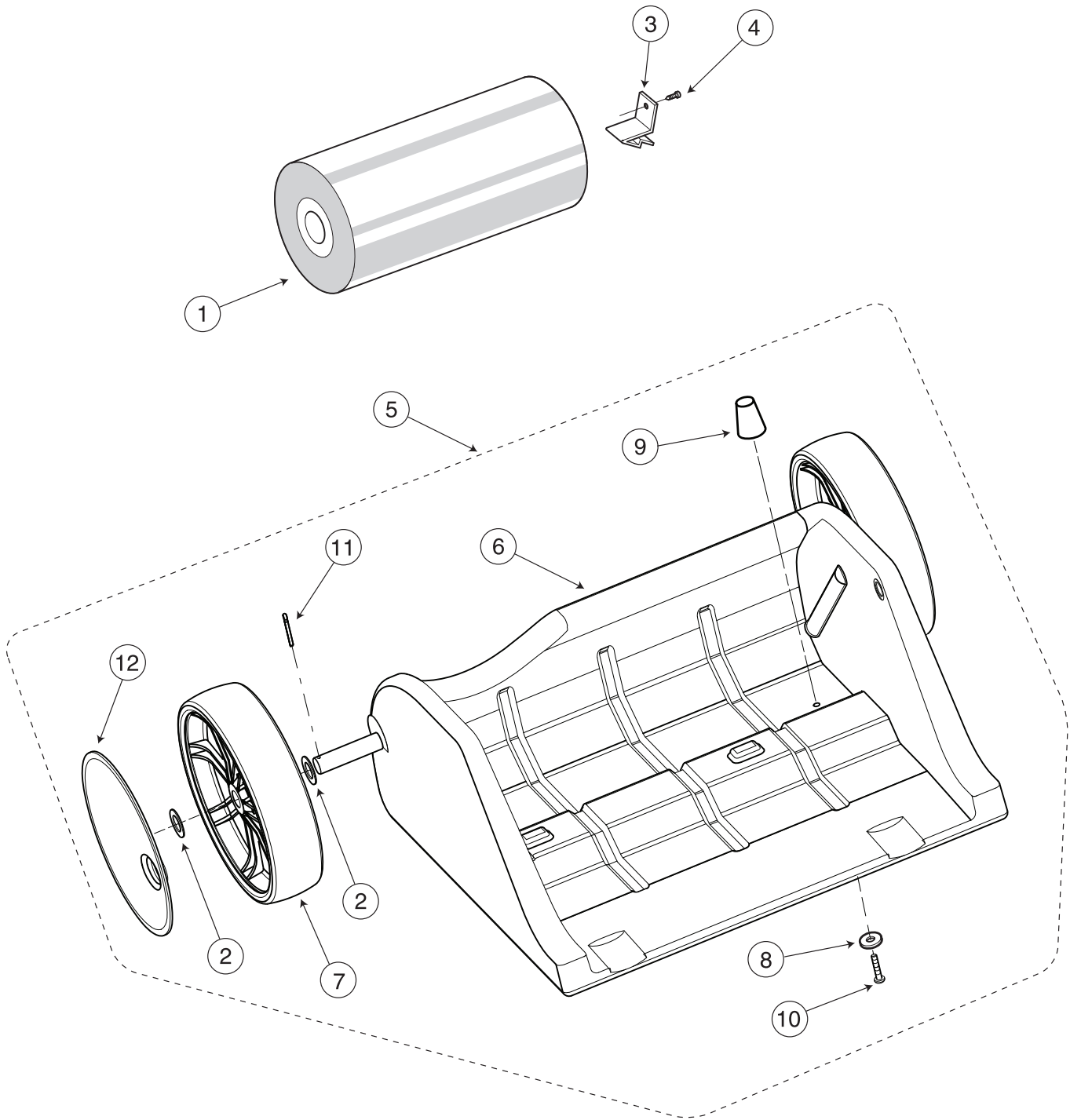
*Not Illustrated

Power Supply Cords

M30116	North America
M40401	Europe
M40402	United Kingdom
M40403	Switzerland
M40404	Italy
M40405	Australia
M40406	Israel
M40407	Denmark
M40408	South Africa



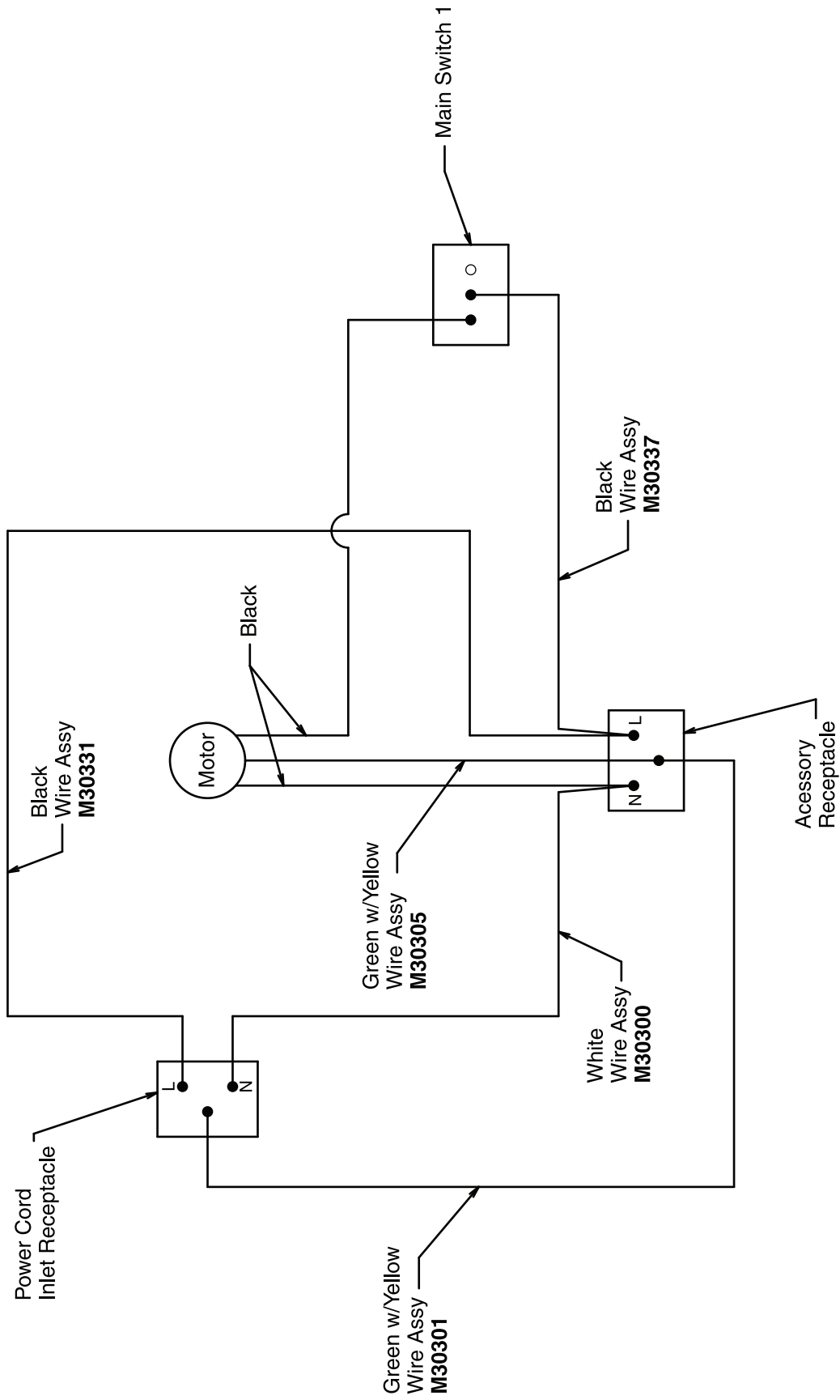
Code No.	Part No.	Description
1	M30508	Pickup Nozzle
2	V115	Screw 10-24 x $\frac{7}{16}$ " , Hood to Gear Case (2 Required)
3	U1018A	Washer #10 (2 Required)
4	M30063	Inner Hood
5	M30145	Screw 8-32 x $\frac{1}{2}$ " , Nozzle to Hood (3 Required)
6	M30284	Gasket, Inner Hood Side (2 Required)
7	M30283	Gasket, Inner Hood End (1 Required)
8	M30393	Skirt, Short
9	M30392	Skirt, End Piece
10	M30394	Skirt, Long
11	M30496	Inner Hood Sub-assembly



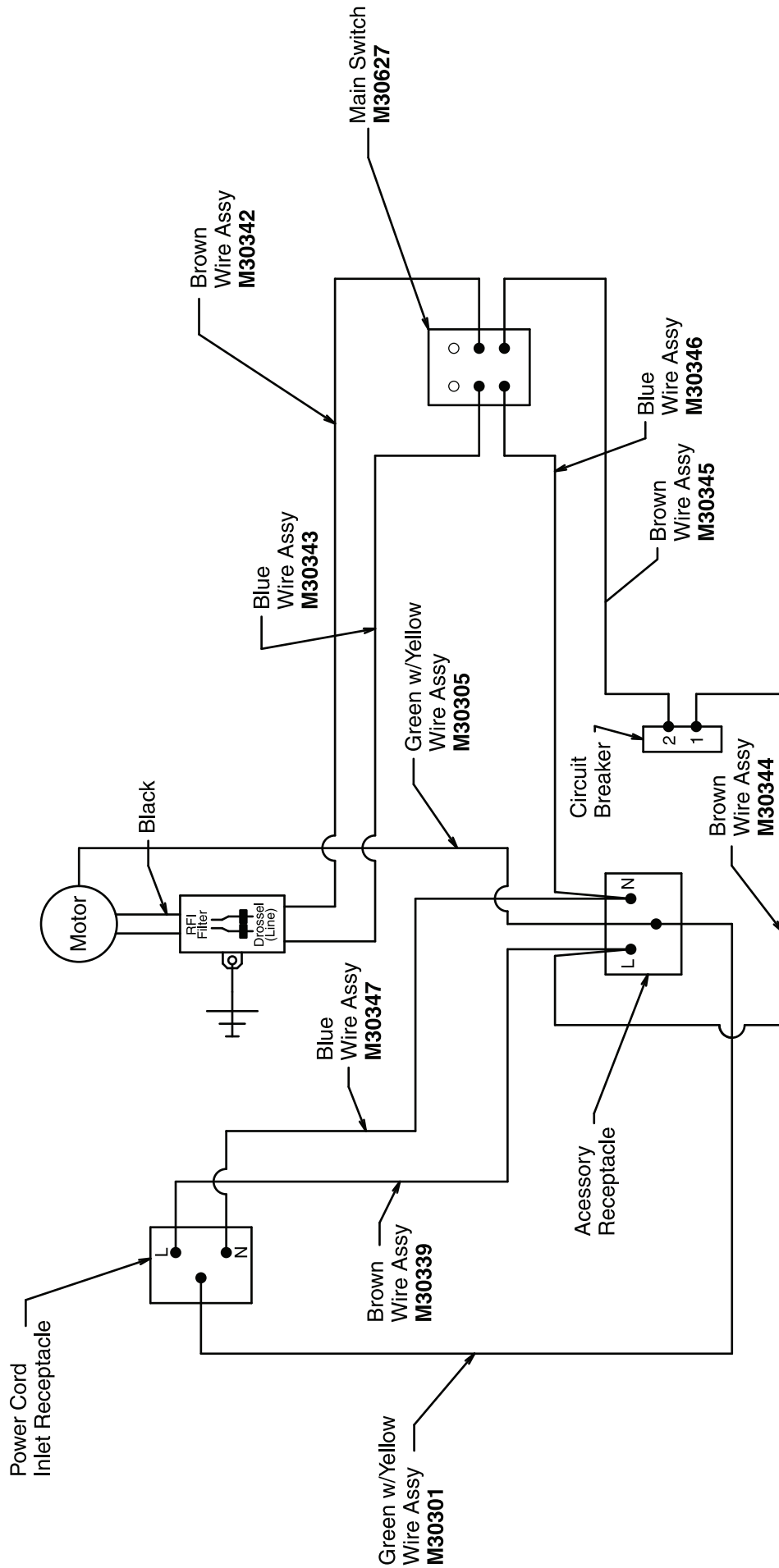
Code No.	Part No.	Description
1	See Below	Brush (2 Required)
2	F817	Washer, Nylon (4 Required)
3	M1014	Spring Clip (1 Required per Brush)
4	V703A	Screw #4 x 3/8" Self-Tapping (1 Required per Brush)
5	M40300	Tray Assembly
6	M30011	Tray
7	F824	Wheel (2 Required)
8	M30073	Washer, Flat (2 Required)
9	M30211	Tray Standoff (2 Required)
10	M50146	Screw 10-32 x 1"
11	F507	Cotter Pin (2 Required)
12	M50141	Hub Cap, Black (2 Required)

Brushes (Assembly Contains 2)

M1018	Brush Assembly, Gold (Soft)
M1019	Brush Assembly, White & Gold (Semisoft)
M1020	Brush Assembly, White (Standard)
M1021	Brush Assembly, Zebra (Firm)
M1023	Brush Assembly, Red (Firm, for Grouted Tile Only)



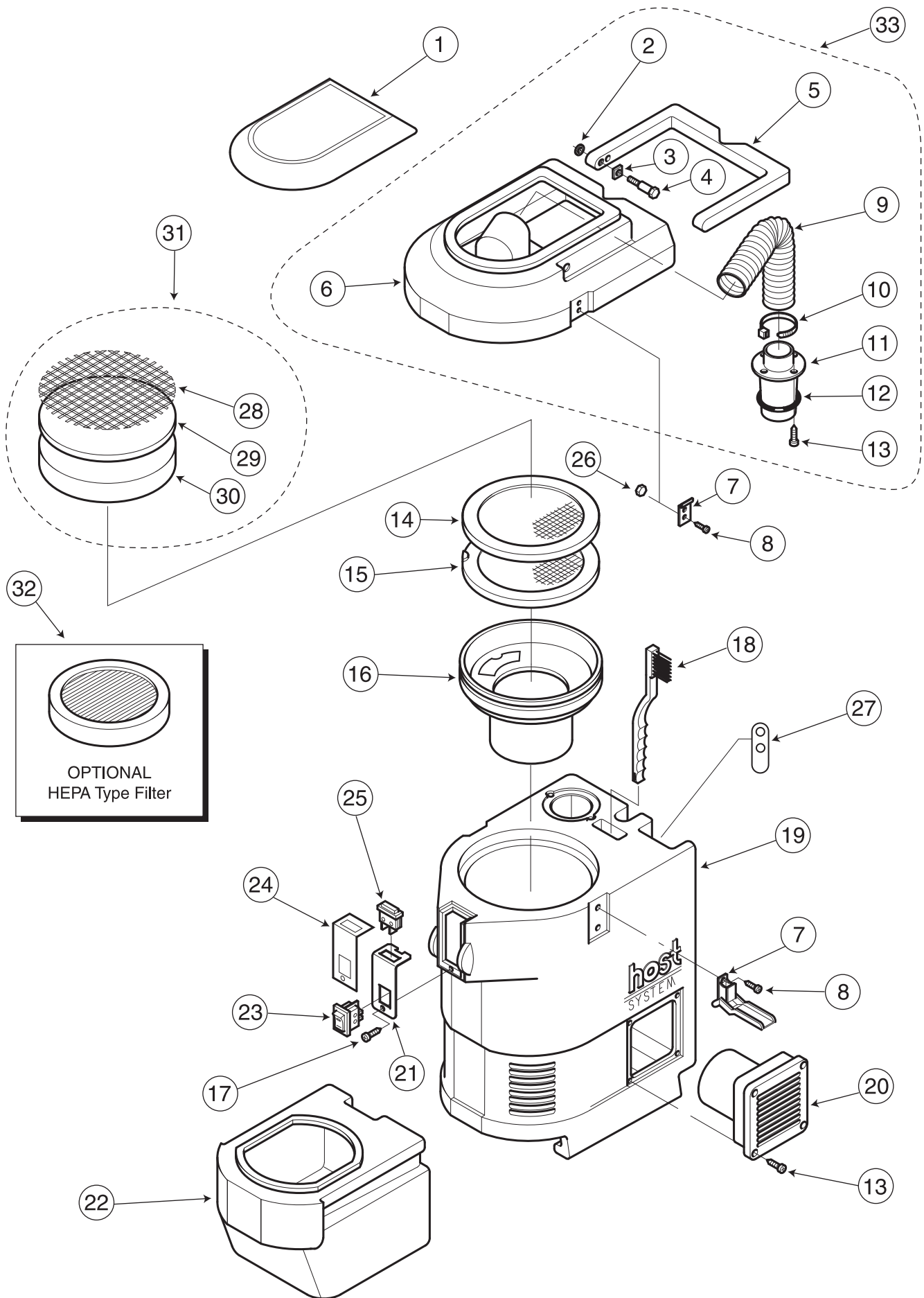
Wiring Diagram 100/120V



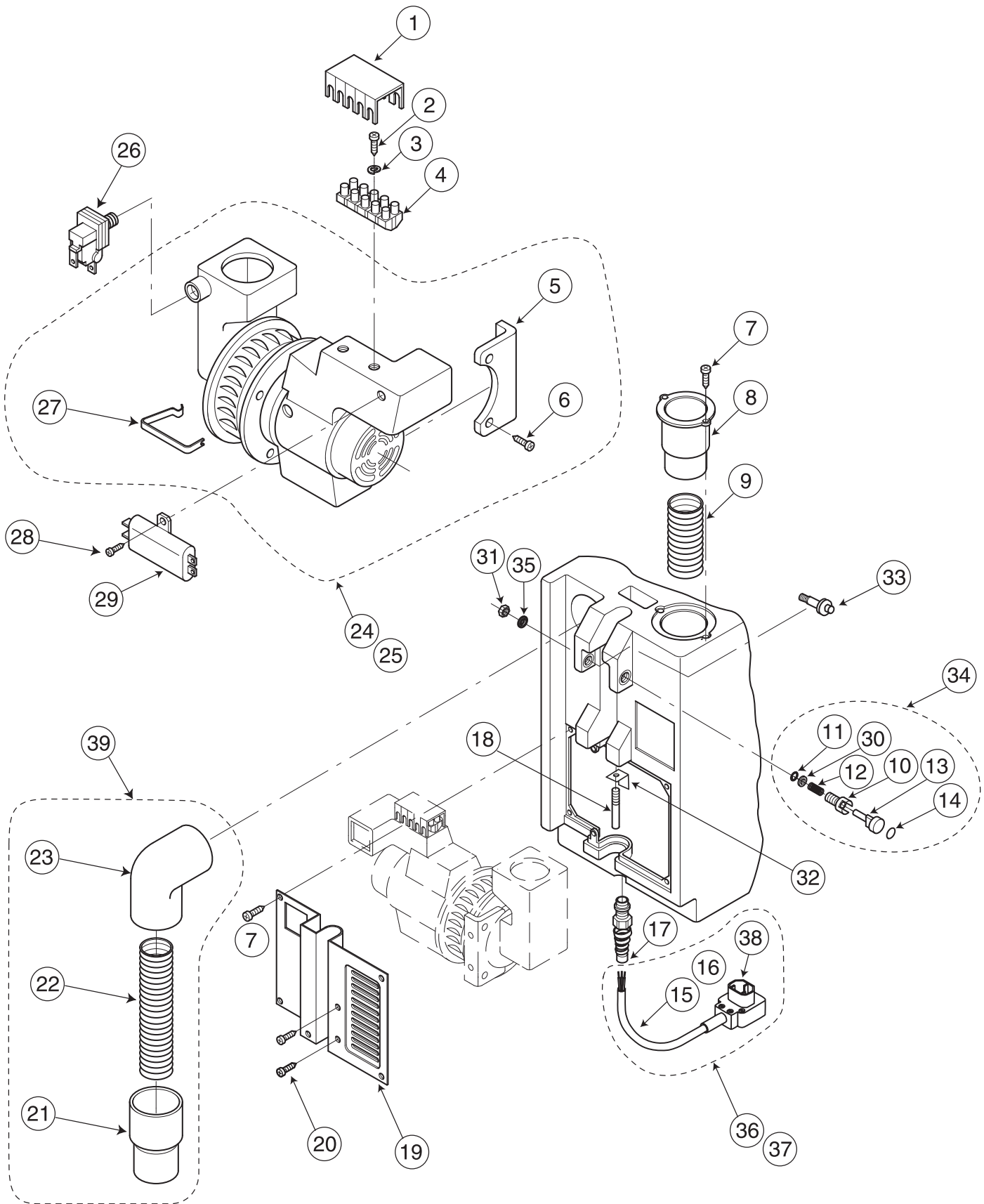
Wiring Diagram 220/240V

Section II - M40000/M40001/M40003 Vac Parts _____	25
Vac Assembly _____	26/27
Vac Motor Assembly _____	28/29
Vac Wiring Diagram - 100/120V _____	30
Vac Wiring Diagram - 220/240V _____	31

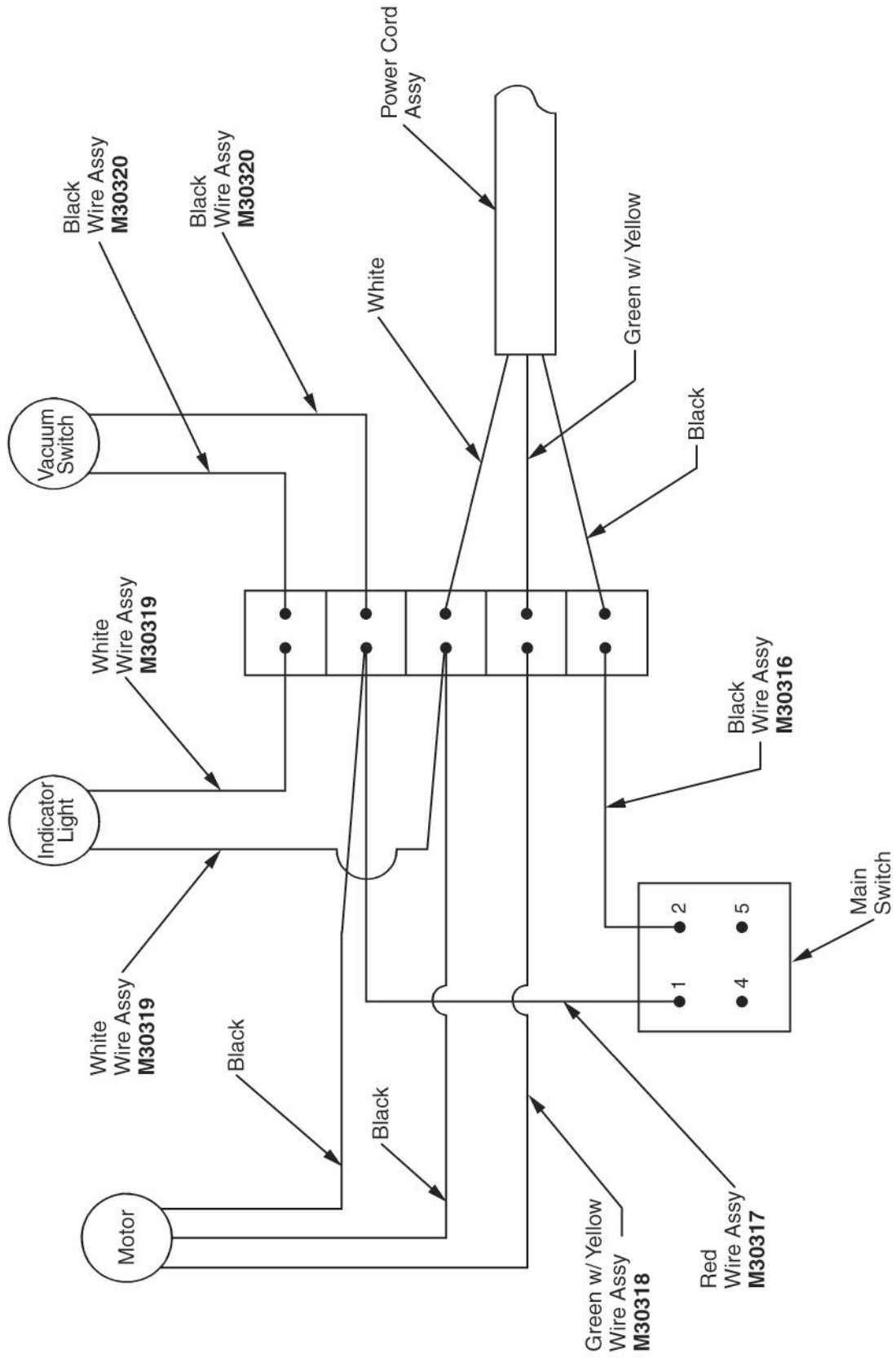




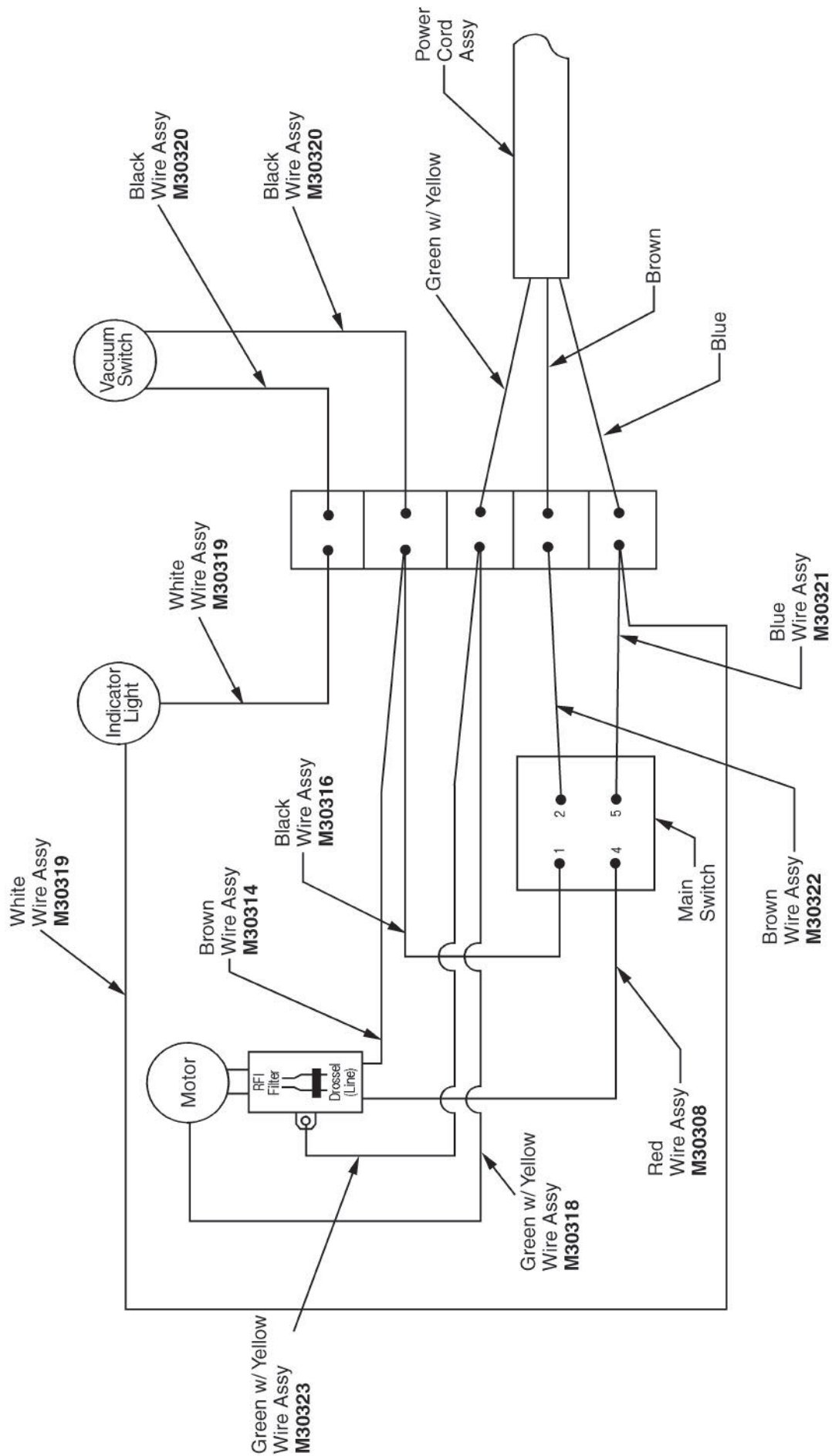
Code No.	Part No.	Description
1	M30584	Cover, Filter Housing
2	W529	Nylon Washer, Flat (2 Required)
3	M30172	Washer, Square (2 Required)
4	L2012	Screw, Shoulder (2 Required)
5	M30010	Carrying Handle
6	M30003	Filter Housing
7	M30028	Latch Assembly (2 Required)
8	H1072	Screw 8-32 x 1/2" (8 Required)
9	M30048	Vacuum Hose
10	X206	Cable Tie
11	M30021	Plug, Filter Housing
12	M30022	O-Ring
13	M30145	Screw 8-32 x 1/2" Thread Forming (8 Required)
14	M30040	Filter, Secondary, Black Seal
15	M30039	Filter, Primary, Orange Seal
16	M30152	Separator Assembly
17	V703A	Screw #4 x 3/8" Self-Tapping (1 Required)
18	M30058	Brush Filter Cleaning
19	M30548	Vac Pod 120V
	M30549	Vac Pod 220V
	M30550	Vac Pod 100V
20	M30009	Cover, Motor Cooling Air Intake
21	M30015	Switch Plate
22	M30255	Recovery Bin Assembly
23	M30050	Switch, On/Off
24	M30043	Decal, Switch Plate
25	M30051	Indicator Lamp
26	466A	Nut 8-32 (4 Required)
27	M30213	Catch Plate 8-32 Thread (2 Required)
28	M30389	Filter, Backing Screen
29	M30390	Filter, White Felt
30	M30391	Filter, Gray Foam
31	M30474	Filter Pack, 3-Piece Fine Particle
32	M30106	Filter, HEPA Type (Optional)
33	M30151	Filter Housing Assembly



Code No.	Part No.	Description
1	M30054	Terminal Block Cover
2	M30147	Screw 8-32 x 7/8" (2 Required)
3	M5005	Lockwasher #8 (2 Required)
4	M30053	Terminal Block
5	M30016	Motor Mounting Plate
6	M30216	Screw #10 x 5/8" Self-Tapping (4 Required)
7	M30145	Screw 8-32 x 1/2" Thread Forming (7 Required)
8	M30020	Flange-Pod
9	M30049	Vacuum Hose
10	M30041	Retaining Nut, Pod Release
11	M30103	Retaining Ring 3/8" Shaft
12	M30111	Spring, Compression
13	M30042	Plunger, Vac Pod Release
14	M30138	Decal, Vac Pod Release
15	M30398	Power Supply Cord 100/120V
16	M30399	Power Supply Cord 220/240V
17	M30057	Strain Relief
18	M30036	Locating Pin, Vac Pod (2 Required)
19	M30008	Back Plate
20	M7053B	Screw 10-32 x 3/8" (2 Required)
21	M30027	Hose Cuff
22	M30047	Vacuum Hose, Black
23	M30156	Vacuum Elbow Assembly
24	M30150	Vacuum Motor Assembly 100/120V
25	M30221	Vacuum Motor Assembly 220/240V (Includes Code Nos. 28, 29)
26	M30052	Vacuum Sensor Switch
27	M30171	Spring Clip (2 Required)
28	D174B	Screw 8-32 x 1/4"
29	M4222	RFI Filter 220/240V (T71)
30	M30149	Washer, Flat
31	X422	Nut 10-24
32	M30197	L-Bracket (2 Required)
33	M30199	Alignment Post
34	M30364	Vac Pod Release Assembly
35	M30073	Washer, Flat
36	M30531	Power Supply Cord Assembly 100/120V (Includes Code Nos. 15, 38)
37	M30532	Power Supply Cord Assembly 220/240V (Includes Code Nos. 16, 38)
38	M30462	Plug, Shrouded Right Angle Male
39	M30597	Vac Hose Assembly
*Not Illustrated	M30524	Replacement Carbon Brush Assembly 100/120V
*Not Illustrated	M30530	Replacement Carbon Brush Assembly 220/240V



Wiring Diagram 100/120V



Wiring Diagram 220/240V

© 2009
Racine International, LLC.
1405 Sixteenth Street
P.O. Box 1648
Racine, WI 53401 USA

☎ (800) 558-9439
☎ (262) 637-4491
FAX (262) 637-0558
www.hostdry.com

host
The Dry Extraction
Carpet Cleaning System

HOST, Freestyle and extractorVAC are registered trademarks of Racine International, LLC. Racine, Wisconsin USA.

M30202(R)