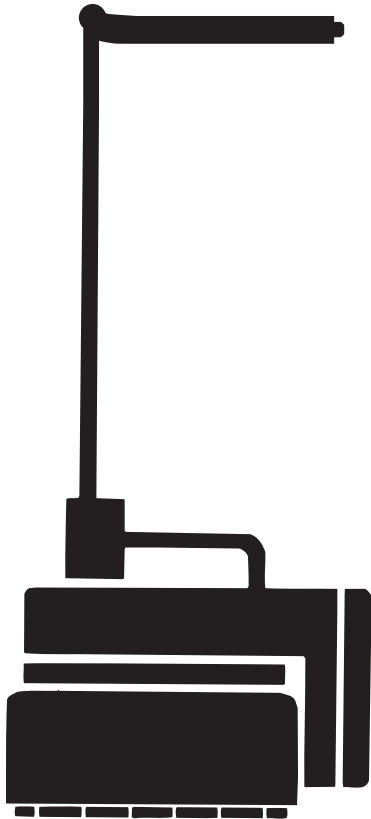


host[®]

The Dry Extraction
Carpet Cleaning System



Reliant[®]

T5/T51/T53

REPAIR PARTS CATALOG NO. M30472(Q)

ISSUED MAY 2014

ORDERS

Please use Part Numbers when ordering and include the machine Serial Number (found on the electrical data plate) to insure that you will receive the correct parts.

Order from your HOST Distributor.

Racine Industries, Inc.
1405 Sixteenth Street
P.O. Box 1648
Racine, WI 53401 USA

☎ 1-262-637-4491
☎ 1-800-558-9439
FAX 1-262-637-0558
www.hostdry.com

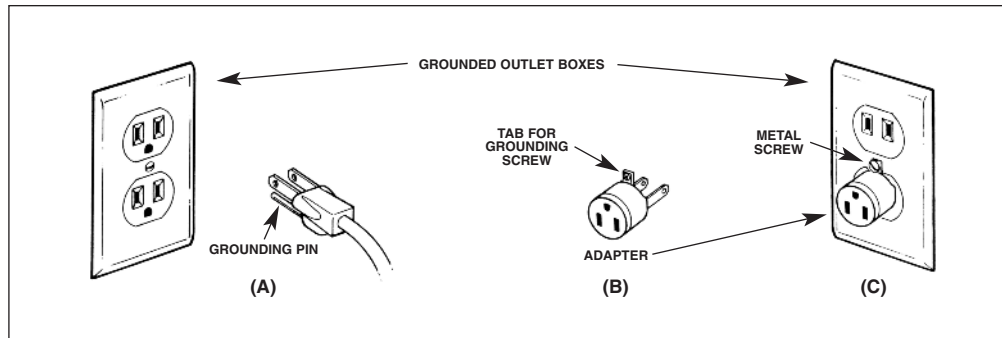
Parts Catalog

**SAVE THESE INSTRUCTIONS
READ ALL INSTRUCTIONS BEFORE USING THIS MACHINE**

WHEN USING ELECTRICAL EQUIPMENT, BASIC PRECAUTIONS SHOULD ALWAYS
BE FOLLOWED, INCLUDING THE FOLLOWING:

WARNING—TO REDUCE THE RISK OF FIRE, ELECTRIC SHOCK, OR INJURY

1. Do not leave machine when plugged in. Unplug from outlet when not in use and before servicing.
2. Do not use outdoors or on wet surfaces.
3. Do not allow to be used as a toy. Close attention is necessary when used by or near children.
4. Use only as described in manufacturer's Instruction Manual. Use only manufacturer's recommended attachments.
5. Inspect cord for damage before each use. Do not use with damaged cord or plug. If machine is not working as it should, has been dropped, damaged, left outdoors, or dropped into water, return it to the manufacturer or authorized repair center.
6. Do not pull or carry by cord, use cord as a handle, close a door on cord, or pull cord around sharp edges or corners. Do not run machine over cord. Keep cord away from heated surfaces.
7. Do not unplug by pulling on cord. To unplug, grasp the plug not the cord.
8. Do not handle plug or machine with wet hands.
9. Do not put any object into openings. Do not use with any opening blocked; keep free of dust, lint, hair, and anything that may reduce air flow.
10. Keep hair, loose clothing, fingers, and all parts of body away from openings and moving parts.
11. Turn off all controls before unplugging.
12. Use extra care when cleaning on stairs.
13. Connect to a properly grounded outlet only. See Grounding Instructions.
14. This machine is to be used with HOST® carpet cleaning products only. Use of other cleaning products may damage this machine.



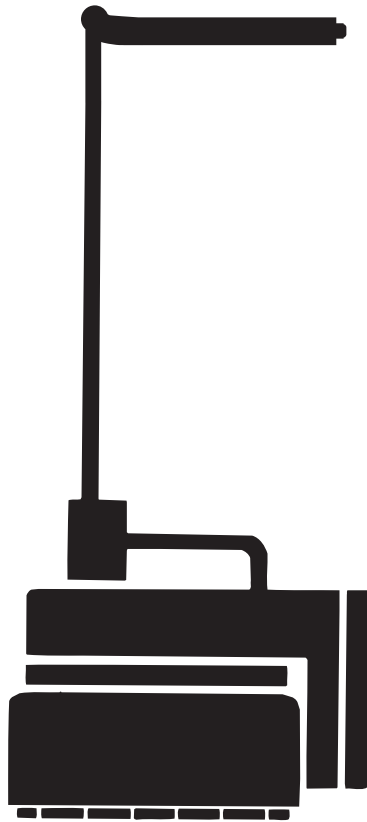
This machine must be grounded. If it should malfunction or break down, grounding provides a path of least resistance for electric current to reduce the risk of electric shock. This machine is equipped with a cord having an equipment-grounding conductor and grounding plug. The plug must be inserted into an appropriate outlet that is properly installed and grounded in accordance with all local codes and ordinances.

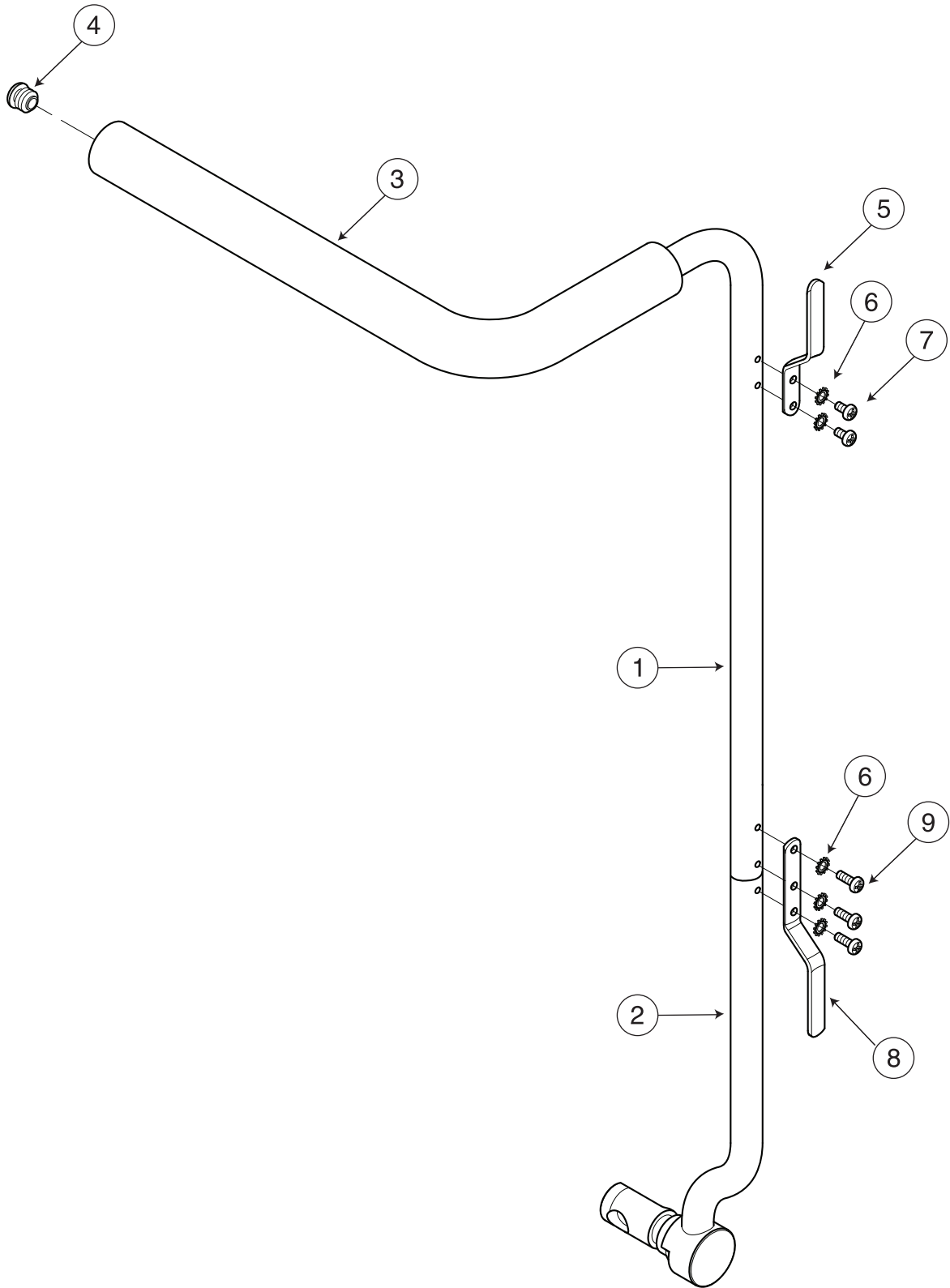
WARNING: Improper connection of the equipment-grounding conductor can result in the risk of electric shock. Check with a qualified electrician or service person if you are in doubt as to whether the outlet is properly grounded. Do not modify the plug provided with the machine. If it will not fit the outlet, have a proper outlet installed by a qualified electrician.

This machine is for use on a nominal 120 volt circuit, and has a grounded plug that looks like the plug illustrated in **Diagram A**. A temporary adapter that looks like the adapter illustrated in **Diagram B** may be used to connect this plug to a 2-pole receptacle as shown in **Diagram C** if a properly grounded outlet is not available. The temporary adapter should be used only until a properly grounded outlet can be installed by a qualified electrician. The green colored rigid ear, lug, or the like extending from the adapter as illustrated in **Diagram B**, must be connected to a permanent ground outlet box cover. Whenever the adapter is used, it must be held in place by a metal screw as shown in **Diagram C**.

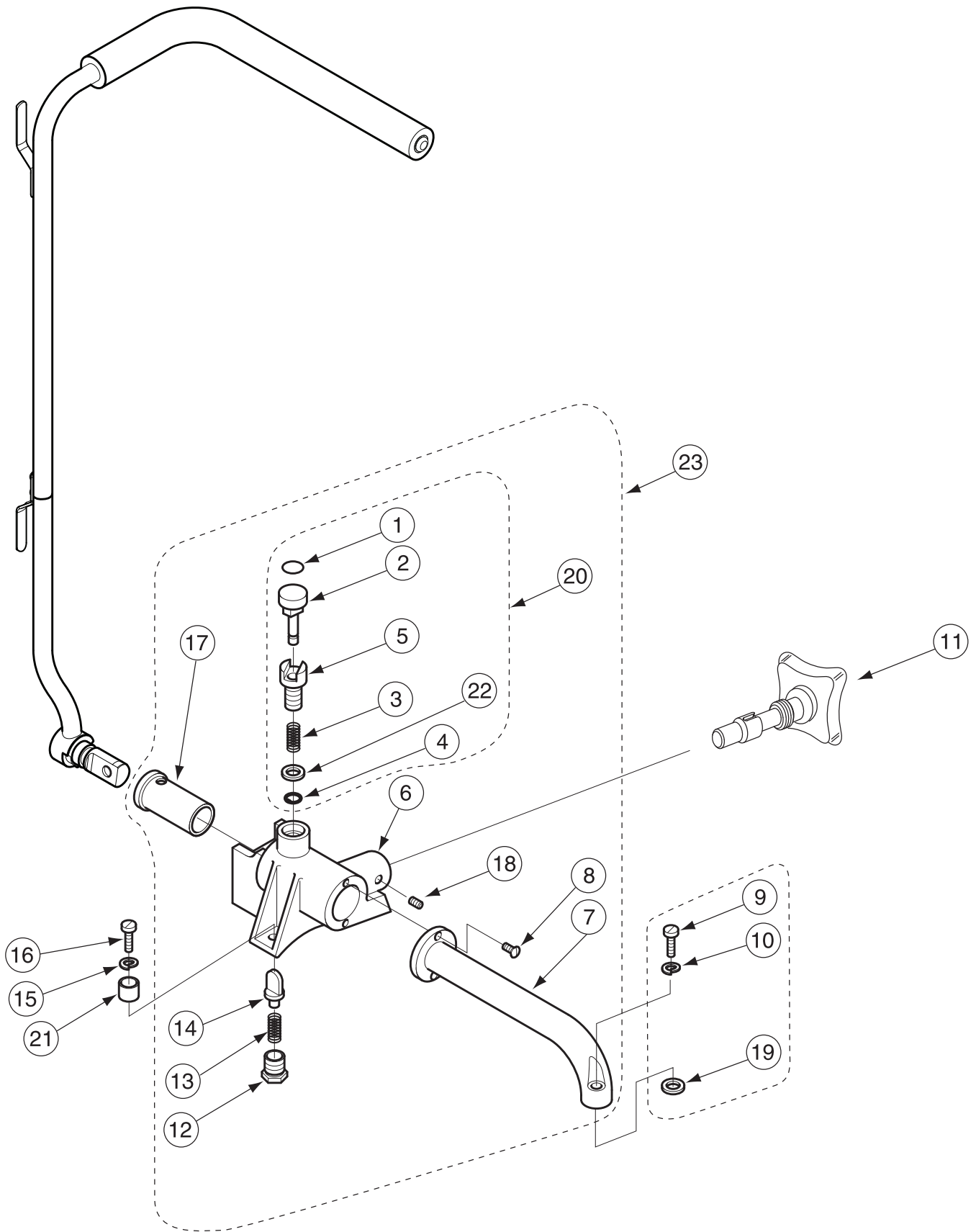
Note: In Canada, the use of a temporary adapter is not permitted by the Canadian Electrical Code.

<i>Safety Instructions</i> _____	2
<i>Grounding Instructions</i> _____	3
<i>Operating Handle Assembly</i> _____	6/7
<i>Lifting Handle Assembly</i> _____	8/9
<i>Motor Case Assembly</i> _____	10/11
<i>Outer Gear Case Assembly</i> _____	12/13
<i>Inner Gear Case Assembly</i> _____	14/15
<i>Motor Shroud Assembly</i> _____	16/17
<i>Inner Hood Assembly</i> _____	18/19
<i>Brush & Tray Assembly</i> _____	20/21
<i>Wiring Diagram - 100/120V</i> _____	22
<i>Wiring Diagram - 220/240V</i> _____	23

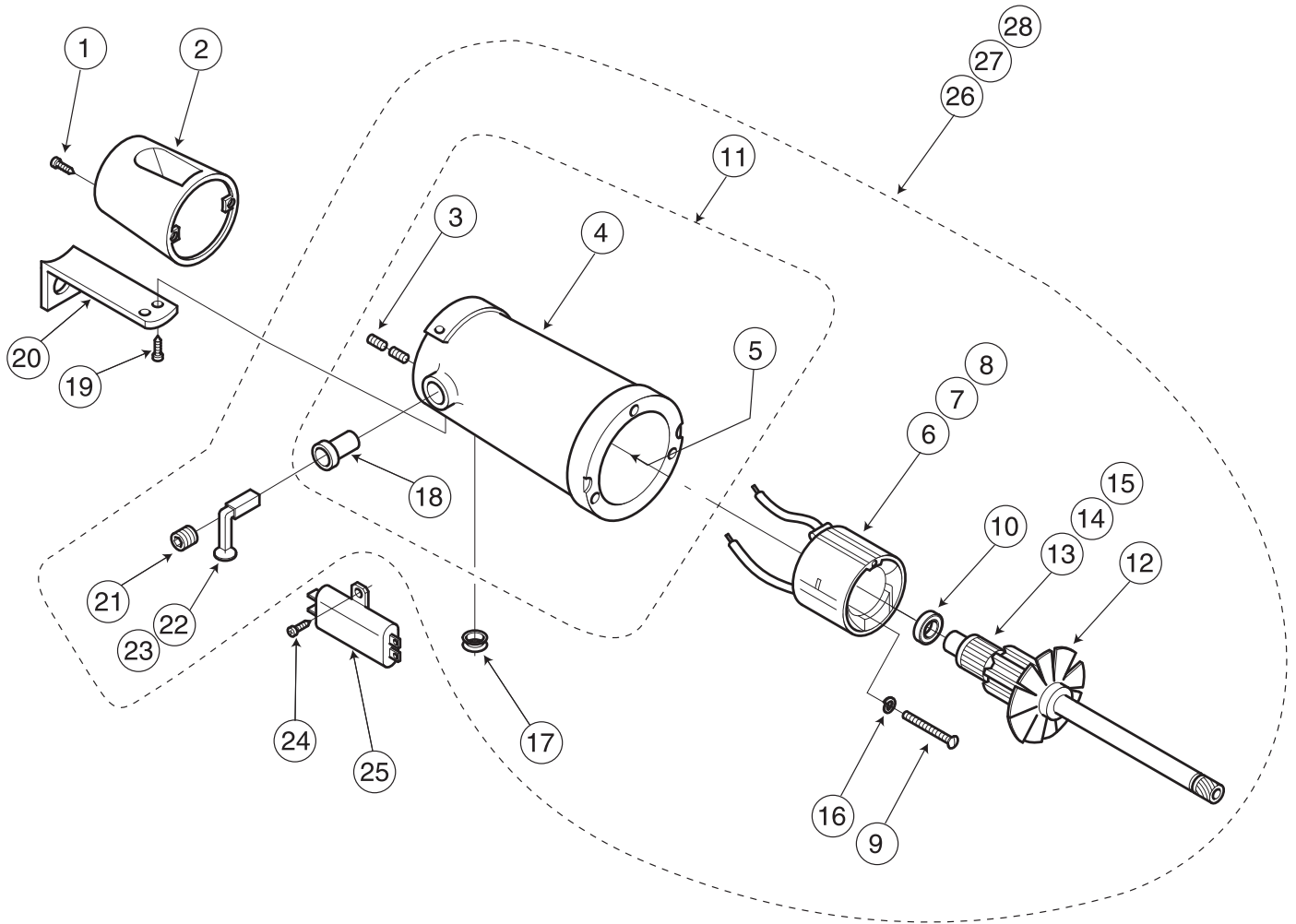




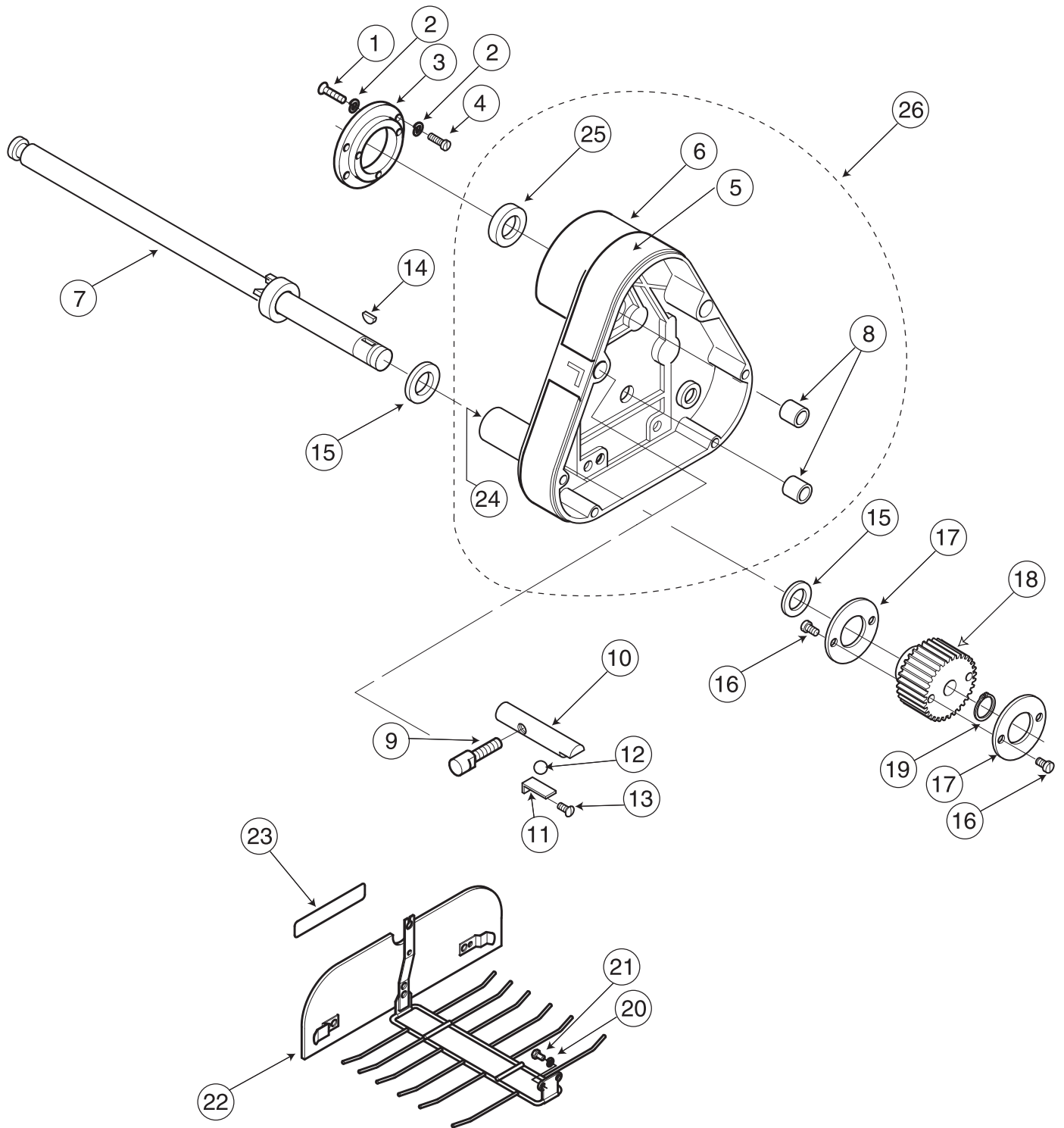
Code No.	Part No.	Description
	M30594	Operating Handle Assembly (Includes Code Nos. 1-9)
1	M30659	Handle, Top Assembly
2	M30644	Handle, Bottom
3	M30604	Foam Grip
4	M30600	Tube Plug
5	K1031	Cord Hook, Upper
6	M30663	Lock Washer #10, External Tooth (5 Required)
7	M30662	Screw 10-32 x $\frac{3}{8}$ " (2 Required)
8	M30647	Cord Hook, Lower
9	M30655	Screw 10-32 x $\frac{7}{8}$ ", Button Head (3 Required)
*Not Illustrated	M30595	Strain Relief



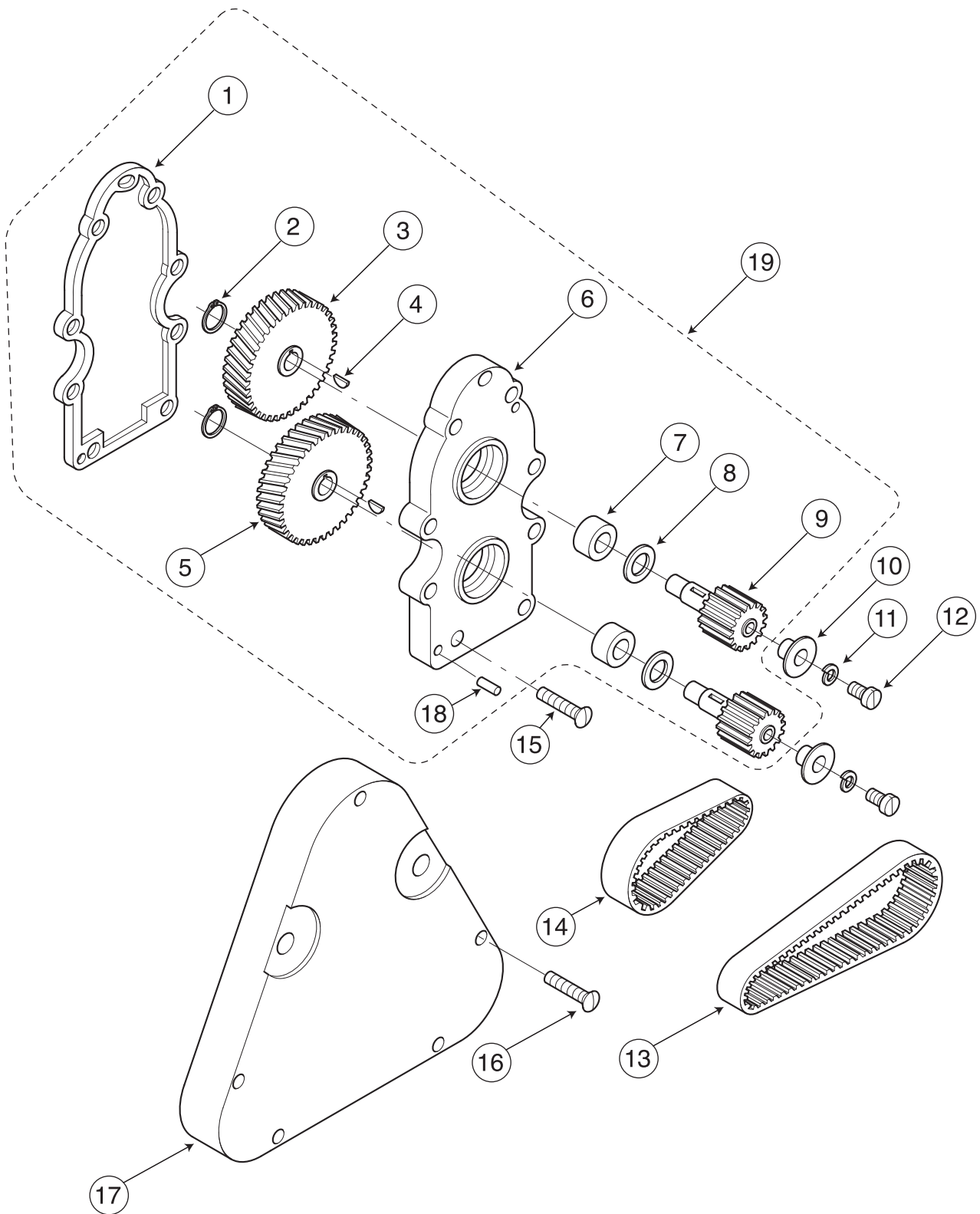
Code No.	Part No.	Description
1	M30140	Decal, Handle Release
2	M30101	Plunger, Handle Release
3	M30117	Spring
4	M30104	Retaining Ring ¼" Shaft
5	M30100	Retainer, Handle Release
6	M30553	Handle Support
7	M30456	Lifting Handle Weldment
8	M30281	Screw 10-32 x ½" (2 Required)
9	M30675	Screw 10-32 x 1½"
10	M30685	Lockwasher #10
11	M30556	Lock Shaft Assembly
12	M30098	Retainer, Temporary Detent
13	M30102	Spring
14	M30182	Temporary Detent
15	603	Lockwasher ¼" (2 Required)
16	L5002	Screw 1/4-20 x ¾" (2 Required)
17	M30452	Flange Bearing
18	M30555	Set Screw 8-32 x ¼"
19	M30525	Washer, Flat
20	M30365	Handle Release Assembly
21	M30378	Insulator Tube (2 Required)
22	M30201	Washer, Flat
23	M30554	Lifting Handle Assembly



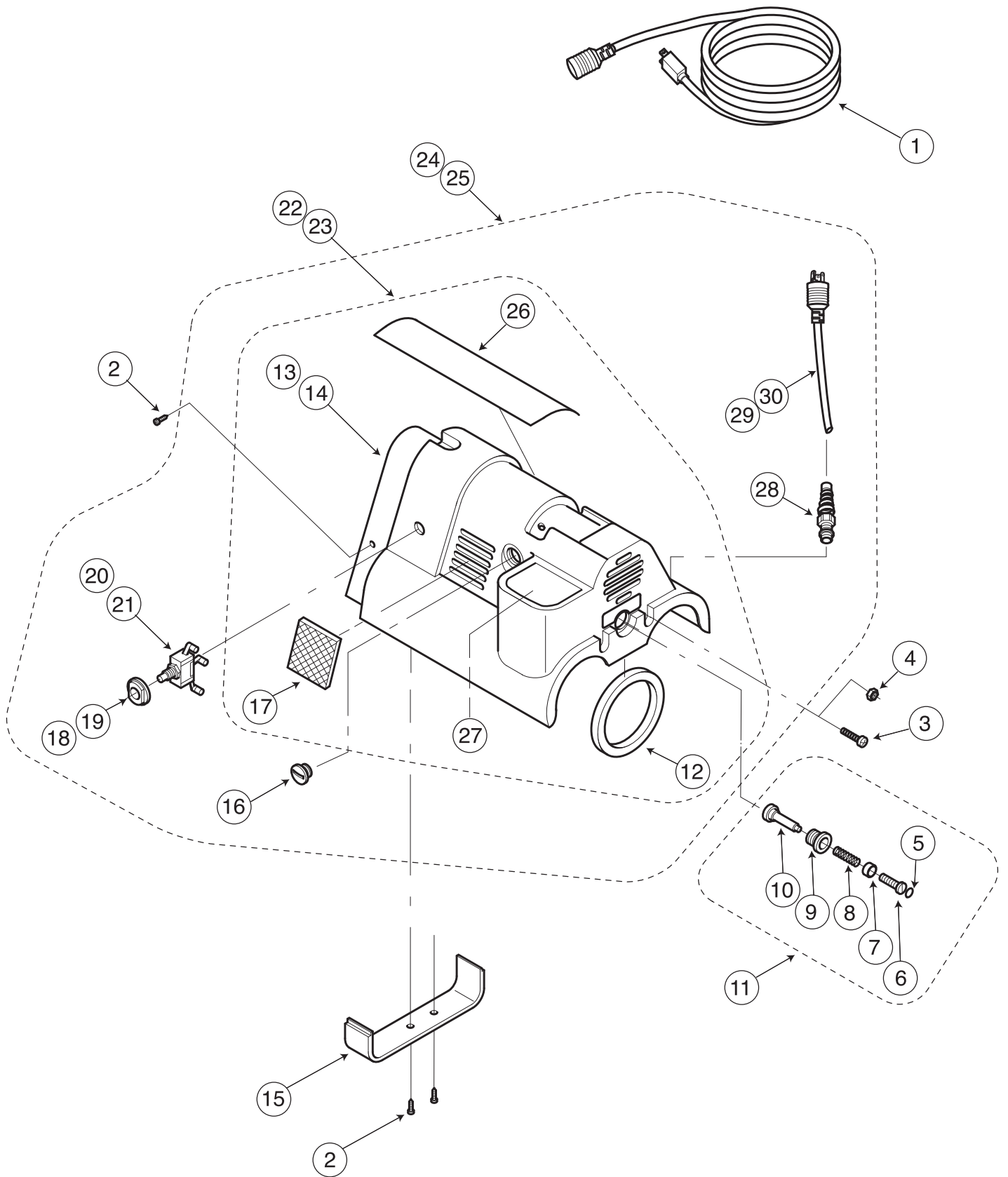
Code No.	Part No.	Description
1	H1072	Screw 8-32 x ½" (2 Required))
2	M30062	Motor Exhaust Duct
3	D365	Set Screw 10-24 x ⅜" (4 Required)
4	M30122	Motor Case (Includes Code No. 5)
5	M50325	Tolerance Ring
6	M30373	Field 100V (T53)
7	M6100NA	Field 120V (T5)
8	M30294	Field 220/240V (T51)
9	M6006B	Screw 8-32 x 3⅜" (2 Required)
10	M12002A	Bearing
11	M30537	Motor Case & Carbon Brush Holder Assembly
12	M30131	Armature Fan
13	M30372	Armature 100V (Includes Code No. 12) (T53)
14	M30132	Armature 120V (Includes Code No. 12) (T5)
15	M30293	Armature 220/240V (Includes Code No. 12) (T51)
16	M5005	Washer #8 (2 Required)
17	M9008	Grommet (2 Required)
18	M6013	Carbon Brush Holder (2 Required)
19	M7053B	Screw 10-32 x ⅜" (2 Required)
20	M30094	Support Bracket
21	VM16	Cap, Carbon Brush Holder (2 Required)
22	M30578	Carbon Brush Assembly 100V/120V (2 Required) (T5/T53)
23	M30578	Carbon Brush Assembly 220/240V (2 Required) (T51)
24	D174B	Screw 8-32 x ¼"
25	M4222	RFI Filter 220/240V (T51)
26	M30543	Motor Case Assembly 100V (T53) (Also includes Part No. M30133 Bearing)
27	M30544	Motor Case Assembly 120V (T5) (Also includes Part No. M30133 Bearing)
28	M30545	Motor Case Assembly 220/240V (T51) (Includes Code Nos. 24, 25 and Part No. M30133 Bearing)



Code No.	Part No.	Description
1	M9019	Screw 10-24 x 1" (3 Required)
2	D277	Lockwasher #10 (6 Required)
3	M30115	Mounting Flange
4	F2771	Screw 10-32 x ½" (3 Required)
5	M30361	Gasket, Outer Gear Case
6	M30157	Gear Case Assembly
7	M30541	Brush Shaft Assembly
8	M6003A	Bearing (2 Required)
9	M30085	Lock Lever
10	M30610	Lock, Caddy
11	M11007A	Spring, Ball-Detent
12	W242	Ball-Detent
13	M11008	Screw 6-32 x ⅝"
14	34A	Woodruff Key (2 Required)
15	M2005	Washer, Nylon (4 Required)
16	VM56A	Screw 6-32 x ⅝" Self-Tapping (8 Required)
17	M2009A	Pulley Flange (4 Required)
18	M2006C	Belt Pulley (2 Required)
19	M2008	Retaining Ring ½" Shaft (2 Required)
20	D277	Lockwasher #10 (2 Required)
21	V115	Screw 10-24 x ⅝" (2 Required)
22	M30412	Brush Guard Assembly
23	M30142	Decal, Warning
24	M11109A	Needle Bearing for Brush Shafts (4 Required)
25	M30133	Bearing
26	M30542	Outer Gear Case & Bearing Assembly (Includes M30675 Screw, M30685 Lockwasher)



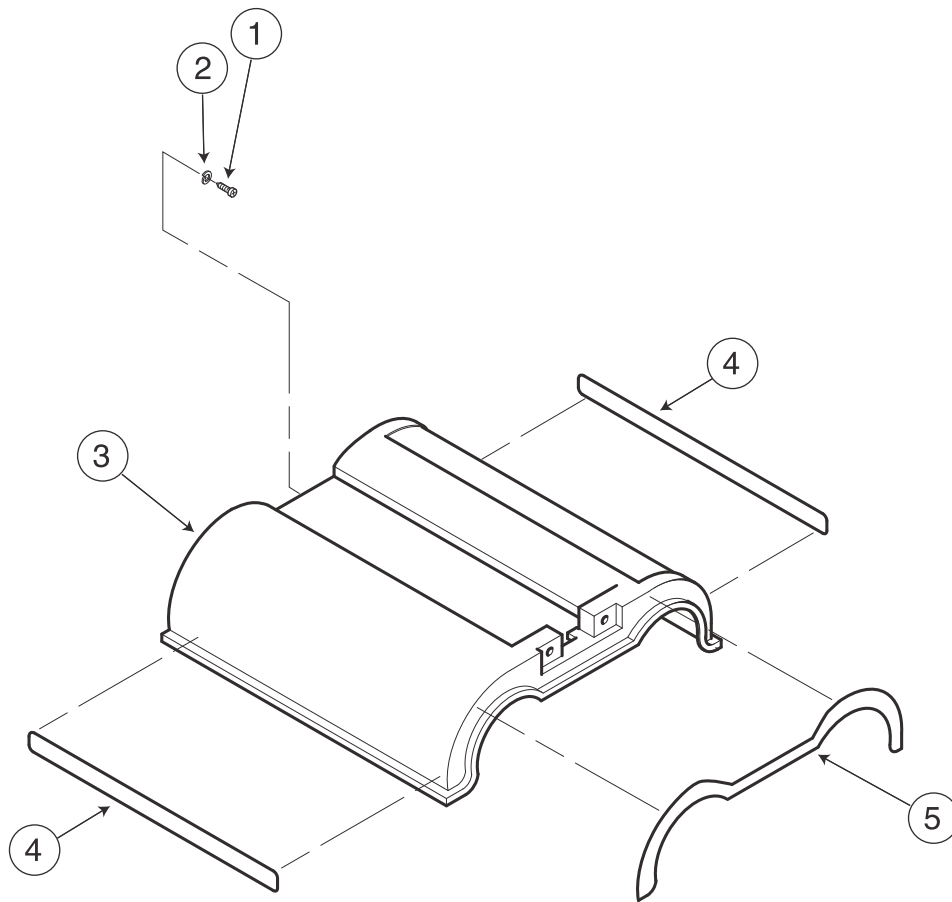
Code No.	Part No.	Description
1	M12010	Gasket
2	U1423	Retaining Ring $\frac{3}{8}$ " Shaft (2 Required)
3	M12042	Gear, Left Hand
4	U1605A	Woodruff Key (2 Required)
5	M12043	Gear, Right Hand
6	M12018	Inner Gear Case
7	M9002	Bearing (2 Required)
8	M12019	Pulley Flange (2 Required)
9	M12044	Pulley Shaft (2 Required)
10	M12008A	Pulley Cap (2 Required)
11	D277	Lockwasher #10 (2 Required)
12	F2771	Screw 10-32 x $\frac{1}{2}$ " (2 Required)
13	M12015B	Belt, Long
14	M12014B	Belt, Short
15	M12011A	Screw 10-32 x $\frac{13}{16}$ " (9 Required)
16	M13015	Screw 6-32 x $1\frac{1}{4}$ " (5 Required)
17	M30411	Gear Case Cover
18	M12013	Dowel Pin $\frac{1}{8}$ " dia. x $\frac{3}{4}$ " (2 Required)
19	M12025	Inner Gear Case Assembly
*Not Illustrated	M12012	Grease, Lithium Base



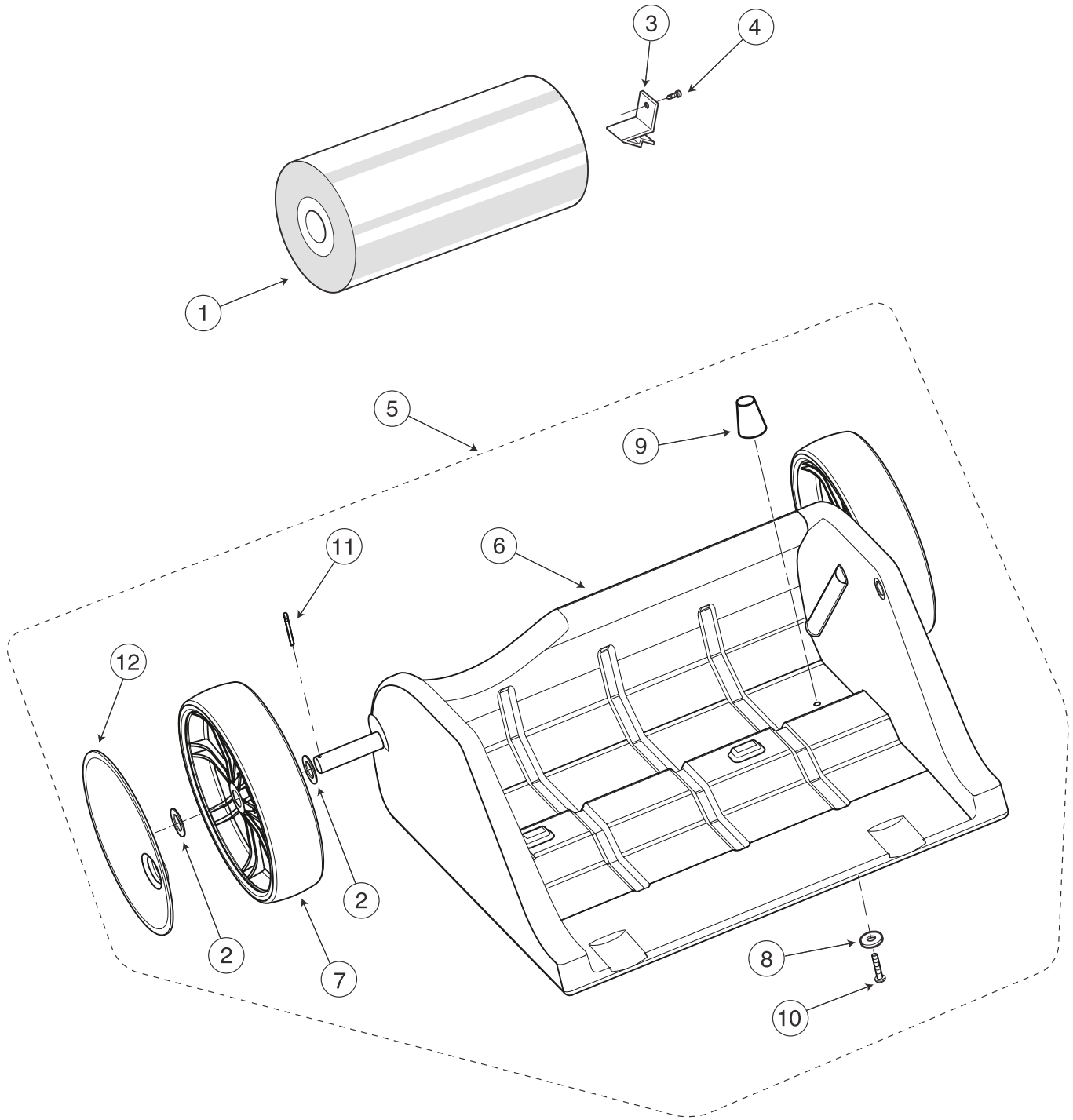
Code No.	Part No.	Description
1	See Below	Power Supply Cord
2	M30145	Screw 8-32
3	H1072	Screw 8-32 x 1/2", Inner Hood to Motor Shroud (2 Required)
4	466A	Nut 8-32, Hood to Gear Case (2 Required)
5	M30139	Decal, Brush Guard Release
6	M30362	Screw 6-32 x 1/2"
7	M30075	Button, Brush Guard Release
8	M30077	Spring
9	M30074	Housing, Brush Guard Release
10	M30076	Shaft, Brush Guard Release
11	M30224	Brush Guard Button Assembly
12	M30093	Gasket, Motor Exhaust
13	M30605	Motor Shroud (T5/T53)
14	M30626	Motor Shroud (T51)
15	M30416	Bottom Cover
16	M30698	Cap, Carbon Brush Access (2 Required)
17	M30083	Intake Air Filter (2 Required)
18	M30072	Nut, Switch (T5/T53)
19	M30581	Nut, Switch (T51)
20	M30596	Switch, On/Off 120V (T5/T53)
21	M30683	Switch, On/Off 220/240V (T51)
22	M30635	Motor Shroud Assembly 100/120V (T5/T53)
23	M30636	Motor Shroud Assembly 220/240V (T51)
24	M30637	Motor Shroud Assembly w/ Switch 100/120V (T5/T53)
25	M30638	Motor Shroud Assembly w/ Switch 220/240V (T51)
26	M30494	Decal, HOST® Machine
27	M30129	Cover Plate
28	M30648	Strain Relief
*Not Illustrated	M30693	Clamp, Strain Relief
*Not Illustrated	M30694	Screw, Strain Relief
29	M30735	Pigtail Power Cord 220/240V (T51) (Includes Code No. 28)
30	M50734	Pigtail Power Cord 100/120V (T5/T53) (Includes Code No. 28)
*Not Illustrated	M30367	Decal, Switch 220/240V (T51)
*Not Illustrated	M30368	Decal, Circuit Breaker 220/240V (2 Required) (T51)
*Not Illustrated	M30382	Circuit Breaker 220/240V (T51)

Power Supply Cords

M50272	North America
M40400	Europe
M40410	United Kingdom
M40411	Switzerland
M40412	Italy
M40413	Australia
M40414	Israel
M40415	Denmark
M40417	South Africa



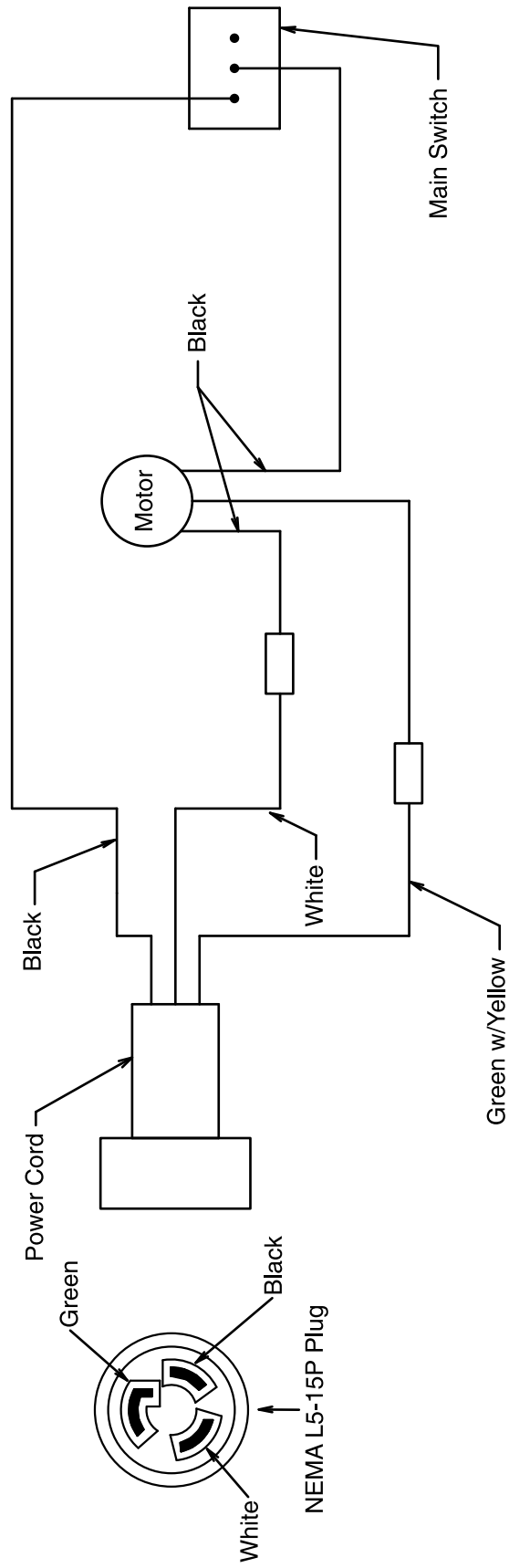
Code No.	Part No.	Description
1	V115	Screw 10-24 x $\frac{7}{16}$ ", Hood to Gear Case (2 Required)
2	U1018A	Washer #10 (2 Required)
3	M30639	Inner Hood
4	M30284	Gasket, Inner Hood Side (2 Required)
5	M30283	Gasket, Inner Hood End (1 Required)



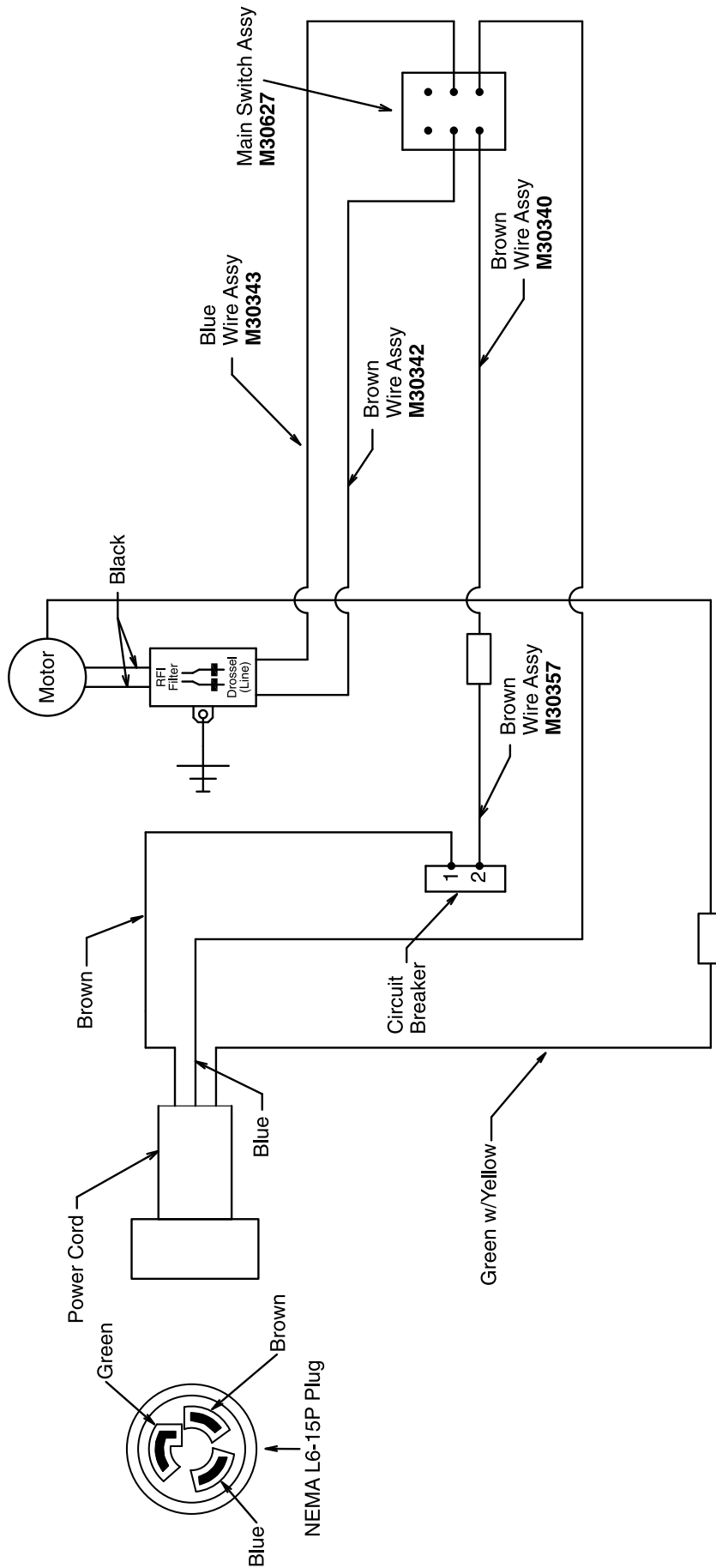
Code No.	Part No.	Description
1	See Below	Brush (2 Required)
2	F817	Washer, Nylon (4 Required)
3	M1014	Spring Clip (1 Required per Brush)
4	V703A	Screw #4 x 3/8" Self-Tapping (1 Required per Brush)
5	M40300	Tray Assembly
6	M30011	Tray
7	F824	Wheel (2 Required)
8	M30073	Washer, Flat
9	M30211	Tray Standoff
10	M50146	Screw 10-32 x 1"
11	F507	Cotter Pin (2 Required)
12	F823	Hub Cap, Black (2 Required)

Brushes (Assembly Contains 2)

M1018	Brush Assembly, Gold (Soft)
M1019	Brush Assembly, White & Gold (Semisoft)
M1020	Brush Assembly, White (Standard)
M1021	Brush Assembly, Zebra (Firm)
M1023	Brush Assembly, Red (Firm, for Grouted Tile Only)



Wiring Diagram 100/120V



Wiring Diagram 220/240V

© 2014
Racine Industries, Inc.
1405 Sixteenth Street
P.O. Box 1648
Racine, WI 53401 USA

☎ (800) 558-9439
☎ (262) 637-4491
FAX (262) 637-0558
www.hostdry.com

HOST and Reliant are registered trademarks of Racine Industries, Inc., Racine, Wisconsin USA.

host
The Dry Extraction
Carpet Cleaning System

M30472(Q)